

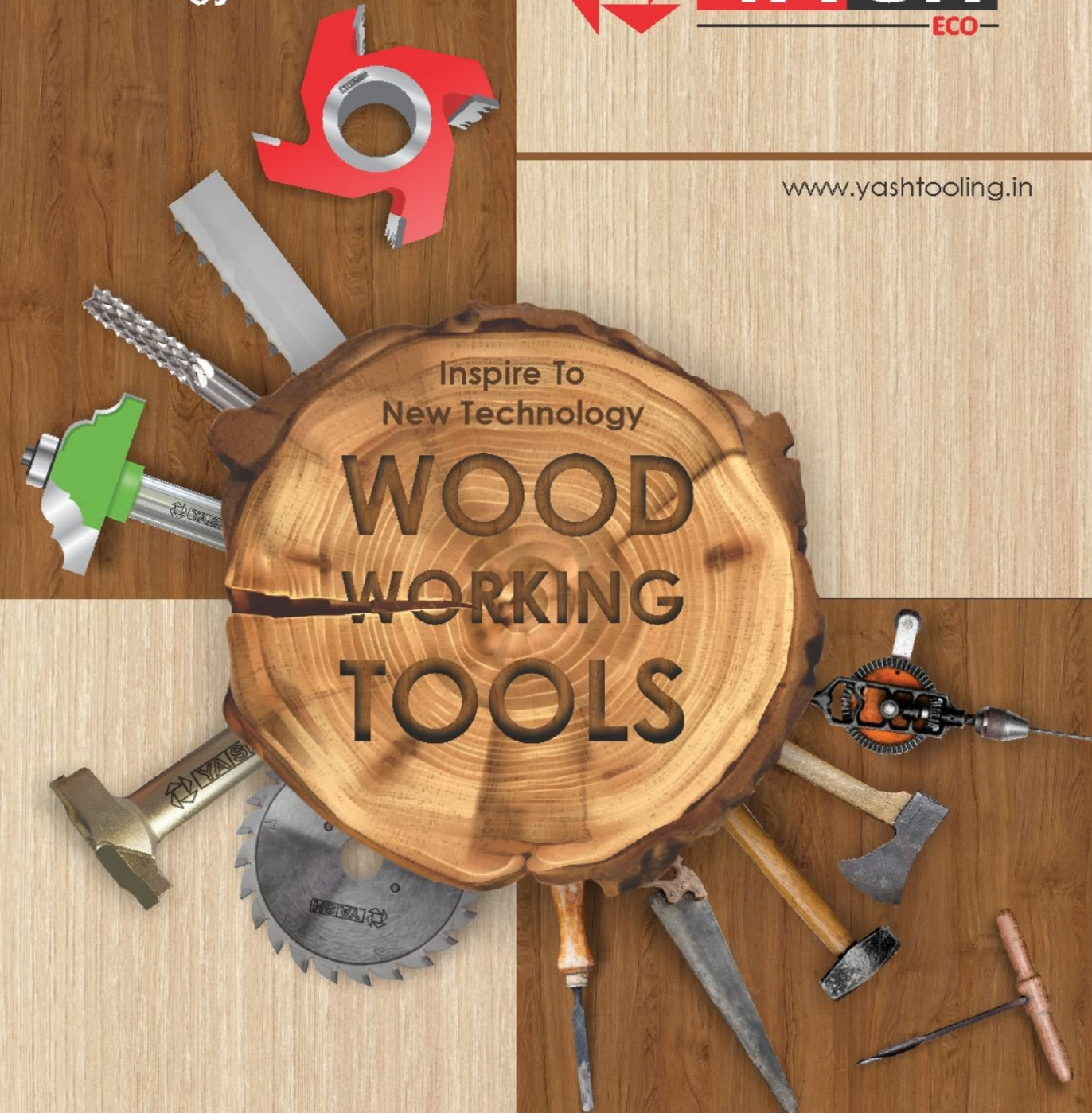
standard
Technology

Next Generation Tools By
Since 2004
YASH
ECO

www.yashtooling.in

EXPERTISE
across 15 countries & all over india
in wood working tools

New Technology
One Quality
One Name



New Edge of
Technology
PCD TOOLS

traditional
Technology

YASH TOOLING SYSTEM
Plot No.: 462, Road No.: 12, Kathwada G.I.D.C, Odhav, Ahmedabad-382430, Gujarat, INDIA
Phone : +91 9925430880, +91 8000630880 Email: yashtoolingsystems@gmail.com

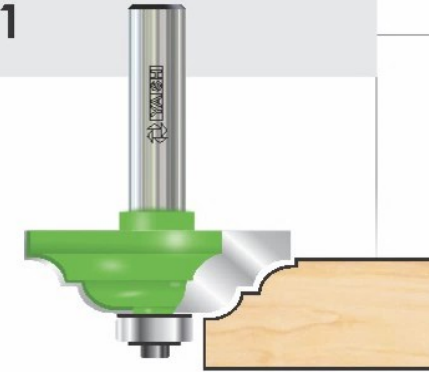
Router Bit 03		CARBIDE Tipped Panel Designing Cutters 52	
Hss Slot Motorize Drill "v" Bit 18		CARBIDE Tipped Door Designing Cutters Set 54	
Pcd Membrane Router Bit 22		CARBIDE Tipped Grooving Cutters 58	
Braze Membrane Router Bit 24		CARBIDE Tipped Finger Shaping Cutters 58	
Blind Hole Boring Bits for Bi Laminated Panels 28		CARBIDE Tipped "V" Profile Cutters for ACP Bending" 62	
Solid Carbide Tools 30		CARBIDE Tipped Planner Knives 65	
Carbide Tipped Professional Quality Bits from KIWI 34		Chain Set 66	
Marbel Cutting Tools 35		CARBIDE Tipped Professional Quality Circular Saw Blades 68	
CARBIDE Tipped Profile Making Cutters 38		Diamond Wheel 72	
CARBIDE Tipped Frame Designing Cutters 50		CARBIDE Tipped Band Saw Blades 73	

▶ Classical Bits



Shank 8mm
Bearing 12.7mm

YE-01



Machines : Hand Router
Material : Solid Wood

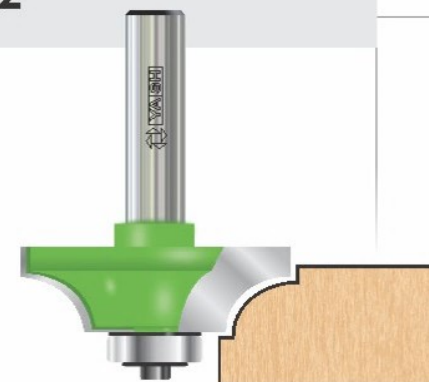
CODE	Moulding Size(mm)	Dia (mm)	Price
101	15X8	28	462
102	20X8	33	523
103	20X10	33	538
104	22X10	35	577
105	25X10	38	615
106	25X12	38	654
107	28X10	41	692
108	28X12	41	769
109	32X10	45	808
110	32X12	45	808

▶ Beading Flat Bits



Shank 8mm
Bearing 12.7mm

YE-02



Machines : Hand Router
Material : Solid Wood

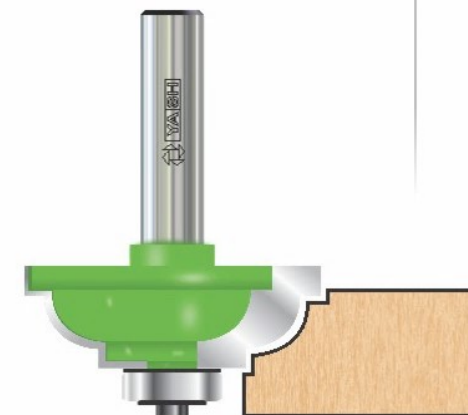
CODE	Moulding Size(mm)	Dia (mm)	Price
111	8X8	23	308
112	10X10	26	385
113-A	12X10	29	423
113	12X12	29	431
114-A	15X10	34	500
114	15X15	34	508
115	19X19	41	662
116	22X22	46	738
116-A	25X25	51	808

▶ Classical Cove Bits



Machines : Hand Router
Material : Solid Wood

YE-03



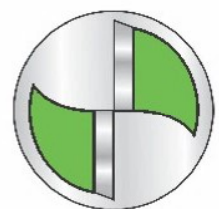
CODE	Moulding Size(mm)	Dia (mm)	Price
117-A	10x10	26	462
117	12x12	29	477
118	15x15	34	538
119	19x19	41	631

► Straight Bit



Machines : Hand Router
Material : Solid Wood

YE-04



YE-04 DIA-4mm

CODE	Dia (mm)	CL	Shank	Price
120-A	4	12	8	246
120-B	4	12	6	246
120-C	4	12	6.35	246
Y-401	4	12	12	292

YE-04 DIA-6mm

CODE	Dia (mm)	CL	Shank	Price
120	6	15	8	254
120-AA	6	15	6	254
120-AB	6	15	6.35	254
Y-402	6	15	12	292

YE-04 DIA-8mm

CODE	Dia (mm)	CL	Shank	Price
121	8	20	8	262
121-A	8	20	6	262
121-B	8	20	6.35	262
Y-403	8	20	12	308
121-D	8	30	8	385
Y-404	8	30	12	385
121-F	8	35	8	431
Y-405	8	35	12	431

YE-04 DIA-10mm

CODE	Dia (mm)	CL	Shank	Price
122	10	20	8	292
122-A	10	20	6	292
122-B	10	20	6.35	292
Y-406	10	20	12	354
122-D	10	30	8	431
Y-407	10	30	12	431
122-F	10	38	8	462
Y-408	10	38	12	462
122-H	10	50	8	692
Y-409	10	50	12	692

YE-04 DIA-12mm

CODE	Dia (mm)	CL	Shank	Price
123	12	20	8	308
123-A	12	20	6	308
123-B	12	20	6.35	308
Y-410	12	20	12	385
123-D	12	30	8	462
Y-411	12	30	12	462
123-F	12	30	12.7	462

YE-04 DIA-12mm

CODE	Dia (mm)	CL	Shank	Price
123-G	12	38	8	508
Y-412	12	38	12	508
123-I	12	50	8	723
Y-413	12	50	12	723
Y-414	12	63	12	892
Y-414-A	12	75	12	1308

YE-04 DIA-15mm

CODE	Dia (mm)	CL	Shank	Price
124-A	15	20	8	538
124-B	15	20	12	538
124-C	15	30	8	692
Y-414-B	15	32	12	692
124-E	15	50	12	1077
124-F	15	63	12	1277
124-G	15	75	12	1508

YE-04 DIA-16mm

CODE	Dia (mm)	CL	Shank	Price
Y-415	16	20	12	692
Y-416	16	32	12	692
Y-417	16	50	12	1077
Y-418	16	63	12	1308

YE-04 DIA-19mm

CODE	Dia (mm)	CL	Shank	Price
124	19	25	8	615
Y-419	19	25	12	615
124-AB	19	38	8	1000
Y-420	19	38	12	1000
Y-421	19	50	12	1077

YE-04 DIA-25mm

CODE	Dia (mm)	CL	Shank	Price
125	25	25	8	692
Y-422	25	25	12	692
Y-423	25	38	12	1077
Y-424	25	50	12	1308
125-A	30	33	12	769
125-B	35	35	12	923

► Rebating Bits (Grooving)



Shank 8mm/12mm
Bearing 12.7mm

Machines : Hand Router
Material : Solid Wood

YE-05



CODE	Cutting Width	Dia (mm)	Price
126-AA	3	35	462
126-A	4	35	462
126	6	35	492
127	8	35	508
128	10	35	554
129	12	35	585
130	15	35	754
131	19	35	800
131-A	25	35	923
131-B*	32	35	1077
131-C*	38	35	1308

► Cove Bits



Shank 8mm
Bearing 12.7mm

Machines : Hand Router
Material : Solid Wood

YE-06



CODE	Moulding Size(mm)	Dia (mm)	Price
132	10x10	26	462
133	12x12	29	477
134	15x15	35	538

► Corner Bits



Shank 8mm
Bearing 12.7mm

Machines : Hand Router
Material : Solid Wood

YE-07



CODE	Moulding Size(mm)	Dia (mm)	Price	CODE	Moulding Size(mm)	Dia (mm)	Price
135-A	15x7	38	631	143	22x22	50	1077
135	15x10	38	631	144	25x10	55	1077
136	15x15	38	692	145	25x15	55	1077
137-A	19x7	45	769	146	25x25	55	1154
137	19x10	45	769	147	28x10	60	1154
138	19x15	45	846	148	28x12	60	1154
139	19x19	45	1000	149	28x15	60	1154
140	22x10	50	885	150	35x10	72	1308
141	22x12	50	885	151	35x12	72	1308
142	22x15	50	923	152	35x15	72	1308

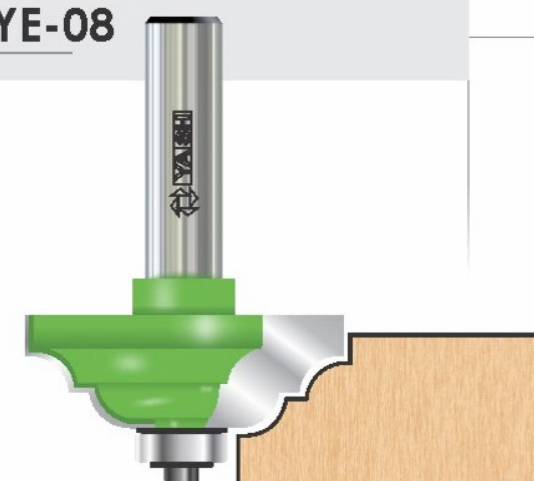
► Classical Bits



Shank 8mm
Bearing 12.7mm

Machines : Hand Router
Material : Solid Wood

YE-08



CODE	Cutting Width	Dia (mm)	Price
153	15x15	35	631
154	19x19	41	754
155	22x22	47	962
156	25x25	52	1077
157	28x28	58	1308

▶ Round Over Bits



Shank 8mm
Bearing 12.7mm

YE-09



Machines : Hand Router
Material : Solid Wood

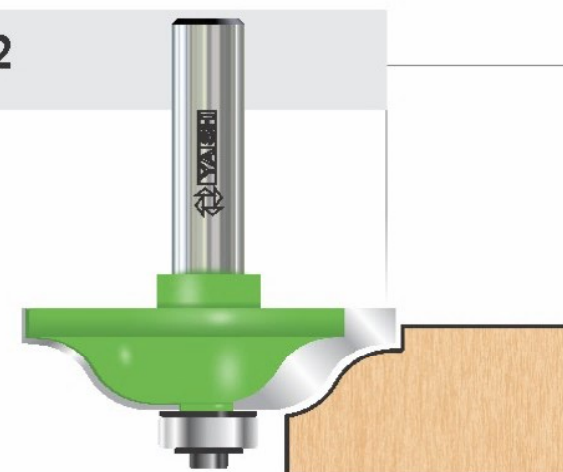
YE-09			
CODE	Moulding Size(mm)	Dia (mm)	Price
158-A	12X6	24	500
158	15X7	28	538
159-A	19X10	32	631
159	20X10	33	631
160	22X10	35	677
161	25X10	38	731
162	25X12.5	38	731
162-A	28X10	41	754
162-B	32X10	45	785

▶ Roman Ogee Bits



Shank 8mm
Bearing 12.7mm

YE-12



Machines : Hand Router
Material : Solid Wood

YE-12			
CODE	Moulding Size(mm)	Dia (mm)	Price
170	12x12	30	508
171-A	15x8	35	554
171	15x10	35	554
172	15x15	35	600
173-A	19x8	42	615
173	19x10	42	615
174	19x15	42	769
175	19x19	42	892
176-A	22x10	47	808
176	22x15	47	808
177	22x22	47	954

▶ Half Radius Bits



Shank 8mm
Bearing 12.7 mm

YE-10



Machines : Hand Router
Material : Solid Wood

YE-10			
CODE	Radius	Dia (mm)	Price
163-A	3 R	23	923
163	4 R	25	954
164	5 R	27	1077
165	6 R	29	1385
166	7.5 R	32	1293
166-A	9.5 R	36	1385
166-B	11 R	39	1477
166-C	12.5 R	42	1569

▶ Ogee Fillet Bits



Shank 8mm
Bearing 12.7mm

YE-13



Machines : Hand Router
Material : Solid Wood

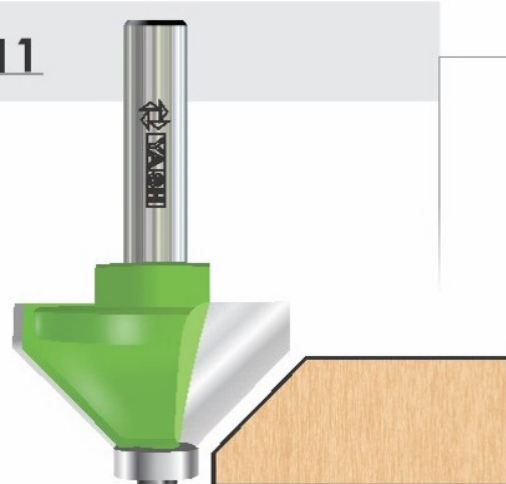
YE-13			
CODE	Moulding Size(mm)	Dia (mm)	Price
178	15x10	35	554
179	15x15	35	600
180	19x10	42	615
181	19x15	42	769
182	19x19	42	892
183	22x15	47	808
184	22x22	47	954
185	28x28	58	1046

▶ Chamfer Bits



Shank 8mm
Bearing 12.7 mm

YE-11



Machines : Hand Router
Material : Solid Wood

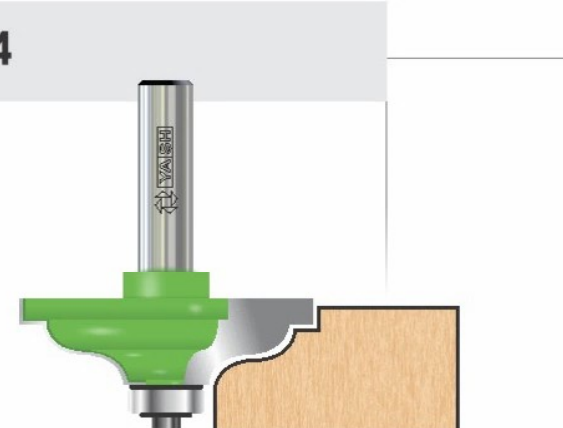
YE-11			
CODE	Degree	Dia (mm)	Price
167	15	35	585
168	25	35	585
169	45	35	585
169-A	45	40	631
169-B	45	45	769
169-C	45	50	846
169-D	45	55	908

▶ Ogee Bits



Shank 8mm
Bearing 12.7mm

YE-14



Machines : Hand Router
Material : Solid Wood

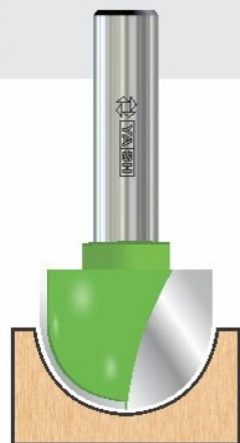
YE-14			
CODE	Moulding Size(mm)	Dia (mm)	Price
186	15x10	35	554
187	15x15	35	600
188	19x10	42	615
189	19x15	42	769
190	19x19	42	892
191	22x15	47	808
192	22x22	47	954

▶ Round Nose Bits



Machines : Hand Router
Material : Solid Wood

YE-15



YE-15

CODE	Dia (mm)	CL (mm)	Shank (mm)	Price
193-AA	4	8	8	246
193-AB	6	10	8	246
193-AC	6	10	6	262
193-AD	6	10	6.35	262
193	8	12	8	262
193-A	8	12	6	308
193-B	8	12	6.35	308
193-C	8	12	12	331
194	10	12	8	277
194-A	10	12	6	292
194-B	10	12	6.35	292

CODE	Dia (mm)	CL (mm)	Shank (mm)	Price
194-C	10	12	12	400
195	12	15	8	331
195-A	12	15	6	331
195-B	12	15	6.35	331
195-C	12	15	12	431
196	15	18	8	538
196-A	15	18	12	538
197	19	20	8	615
197-A	19	20	12	615
198	25	20	8	692
198-A	25	20	12	692

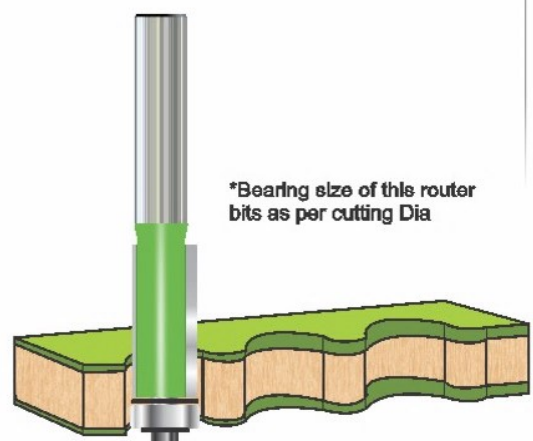
▶ Trim Bits



Shank 8mm
Bearing 12.7mm

Machines : Hand Router
Material : Solid Wood

YE-16



YE-16

Bearing Size : 1/4"x1/8"

CODE	Dia (mm)	CL (mm)	Shank (mm)	Price
199-AA	6.35(1/4")	20	6	292
199-AB	6.35(1/4")	20	6.35	292
199-AC	6.35(1/4")	20	8	292

YE-16

Bearing Size : 3/8"x3/16"

CODE	Dia (mm)	CL (mm)	Shank (mm)	Price
199	9.52(3/8")	30	8	308
199-A	9.52(3/8")	30	12	385
199-B	9.52(3/8")	20	6	292
199-C	9.52(3/8")	20	6.35	292
199-D	9.52(3/8")	38	8	385
199-E	9.52(3/8")	38	12	385
199-F	9.52(3/8")	50	8	677
199-G	9.52(3/8")	50	12	677

YE-16

Bearing Size : 1/2"x3/16"

CODE	Dia (mm)	CL (mm)	Shank (mm)	Price
200	12.70(1/2")	30	8	308
200-A	12.70(1/2")	30	12	385
200-B	12.70(1/2")	30	12.70	385
200-C	12.70(1/2")	20	6	308
200-D	12.70(1/2")	20	6.35	308
200-E	12.70(1/2")	38	8	508
200-F	12.70(1/2")	38	12	508
200-G	12.70(1/2")	50	8	754
200-H	12.70(1/2")	50	12	754

▶ Corner Bits



Shank 8mm
Bearing 12.7mm

Machines : Hand Router
Material : Solid Wood

YE-17



YE-17

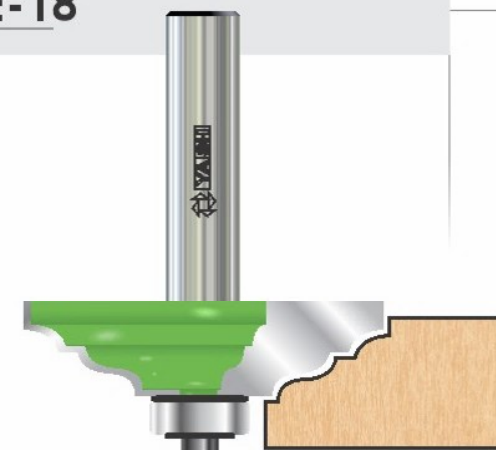
CODE	Moulding Size(mm)	Dia (mm)	Price
201	10x15	30	615
202	12x15	35	615

▶ Corner Ogee Bits



Machines : Hand Router & CNC Router
Material : Solid Wood

YE-18



YE-18

CODE	Moulding Size(mm)	Dia (mm)	Price
203	15x10	38	631
204	15x15	38	692
205	19x10	45	769
206	19x15	45	846
207	19x19	45	1000
208	22x10	50	885
209	22x12	50	885
210	22x15	50	923
211	22x22	50	1077
212	25x10	55	1077
213	25x15	55	1077
214	25x25	55	1154
215	28x10	60	1154
216	28x12	60	1154
217	28x15	60	1154
218	35x10	72	1308
219	35x12	72	1308
220	35x15	72	1308

▶ Half Radius Bits



Shank 8mm/ 12mm

Machines : Hand Router
Material : Solid Wood

YE-19



YE-19

CODE	Moulding Size(mm)	C.L. (mm)	Dia (mm)	Price
221	6R	12	12	****
222	8R	16	16	****
223	10R	20	20	1230
224	12.5R	25	25	1307
225	15R	30	30	1384

▶ Trimmer Bits



Shank 8mm
Bearing 12.7mm

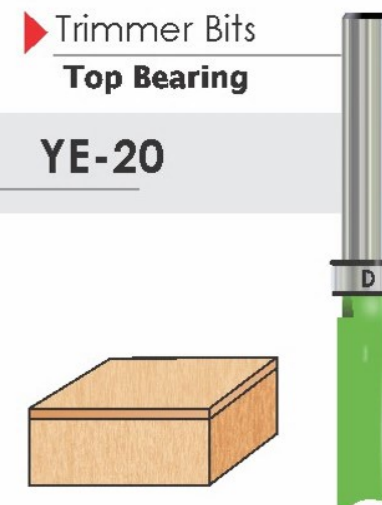
Machines : Hand Router
Material : Solid Wood

YE-20

▶ Trimmer Bits
Top Bearing

Machines : Hand Router
Material : Solid Wood

YE-20



YE-20

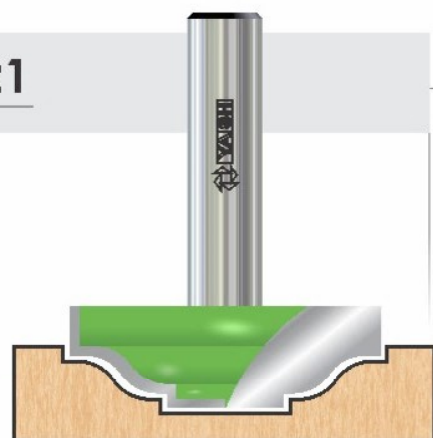
CODE	Dia	C.L. (mm)	Shank	Price
5000	12.7	25	8	423
5001	15.9	25	8	592
5002	19.05	25	8	732
5003	21	40	12	****
5004	22	50	8	****

▶ Plung Ogee Fillet Bits



Shank 8mm

YE-21



Machines : Hand Router
Material : Solid Wood

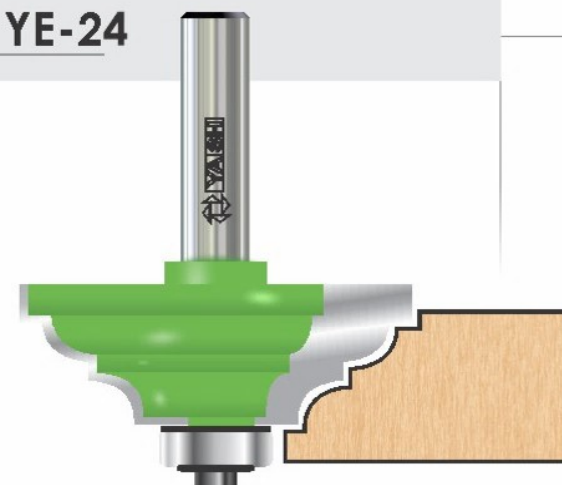
YE-21			
CODE	Moulding Size(mm)	Dia (mm)	Price
226-A	19x8	19	354
226	19x10	19	354
227-A	22x8	22	385
227	22x10	22	385
228	25x10	25	415
228-A	32x10	32	585

▶ Frame Bits



Shank 8mm
Bearing 12.7mm

YE-24



Machines : Hand Router
Material : Solid Wood

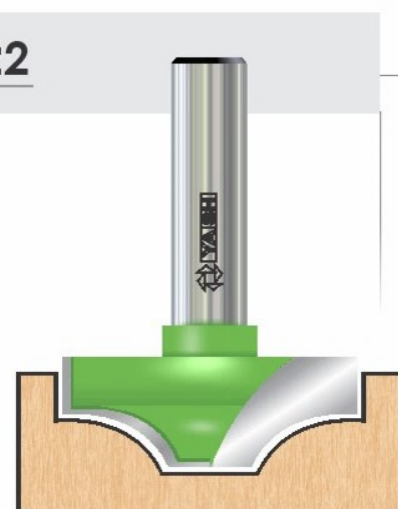
YE-24			
CODE	Moulding Size(mm)	Dia (mm)	Price
240	15x15	35	631
241	19x19	41	754
242	22x22	47	962
243	25x25	52	1077

▶ Ovolo Bits



Shank 8mm

YE-22



Machines : Hand Router
Material : Solid Wood

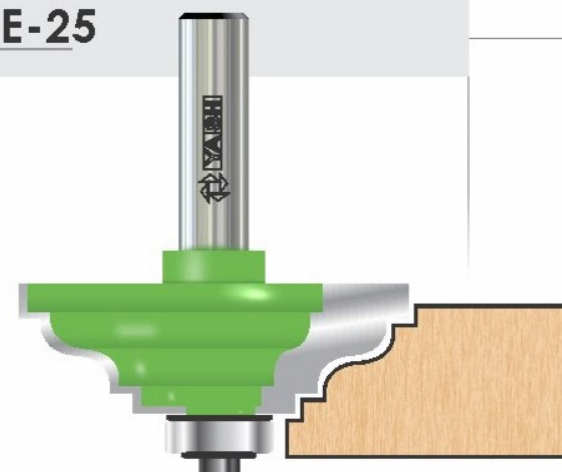
YE-22			
CODE	Moulding Size(mm)	Dia (mm)	Price
229	10X8	10	231
230	12X8	12	277
231	15X8	15	292
232-A	19X8	19	354
232	19X10	19	354
233-A	22X8	22	385
233	22X10	22	385
234	25X10	25	415
234-A	32X10	32	585

▶ Ogee Double Fillet Bits



Shank 8mm
Bearing 12.7mm

YE-25



Machines : Hand Router
Material : Solid Wood

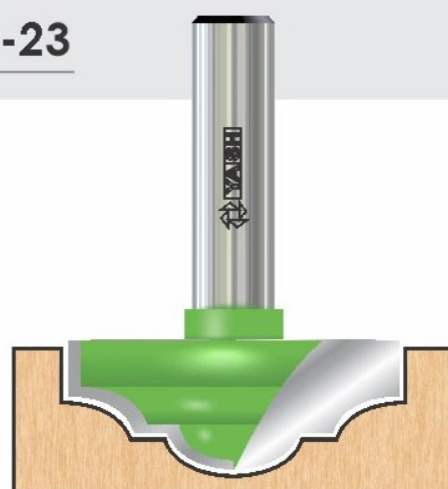
YE-25			
CODE	Moulding Size(mm)	Dia (mm)	Price
244	15x15	35	631
245	19x19	42	754
246	22x15	47	962
247	22x22	47	1077
248	28x28	58	1308

▶ Plung Classical Bits



Shank 8mm

YE-23



Machines : Hand Router
Material : Solid Wood

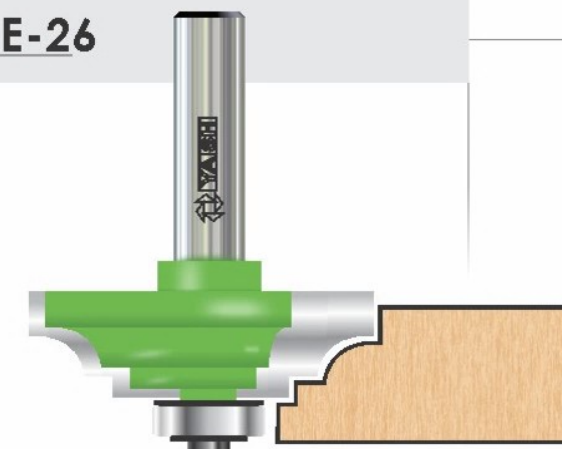
YE-23			
CODE	Moulding Size(mm)	Dia (mm)	Price
235	15x10	15	292
236	19x10	19	354
237	22x10	22	385
238	25x10	25	415
239	25x12	25	415
239-A	32x12	32	585

▶ Classical Bedding Bits



Shank 8mm
Bearing 12.7mm

YE-26



Machines : Hand Router
Material : Solid Wood

YE-26			
CODE	Moulding Size(mm)	Dia (mm)	Price
249	15x8	28	462
250	20x8	33	523
251	20x10	33	538
252	22x10	35	577
253	25x10	38	615
254	25x12	38	654
255	28x10	41	692
256	28x12	41	769
257	32x10	45	808
258	32x12	45	808

▶ Ovolo Bits



Shank 8mm

Machines : Hand Router
Material : Solid Wood

YE-27



YE-27			
CODE	Moulding Size(mm)	Dia (mm)	Price
259	10x8	10	246
260	12x8	12	308
261	15x8	15	323
262	19x10	19	369
263	22x10	22	415
264	25x10	25	446
265	32x12	32	585
266	38x12	38	662

▶ Pierce & Round Over Bits



Shank 8mm/ 12mm

Machines : Hand Router
Material : Solid Wood

YE-30



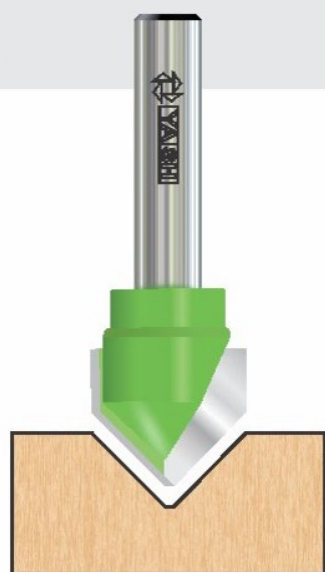
YE-30			
CODE	Cutting Length	Dia (mm)	Price
275*	25	25	923
276*	25	28	923
277*	25	32	1000
278*	25	38	1154
279*	32	50	1308

▶ "V" Groove Bits



Machines : Hand Router
Material : Solid Wood

YE-28



YE-28					
CODE	Dia (mm)	Degree (mm)	Depth (mm)	Shank (mm)	Price
267-A	8	90°	4	8	231
267-AA	8	90°	4	6	231
267-AB	8	90°	4	6.35	231
267-B	10	90°	5	8	246
267-AC	10	90°	5	6	246
267-AD	10	90°	5	6.35	246
267	12	90°	6	8	269
267-AE	12	90°	6	6	269
267-AF	12	90°	6	6.35	269
268	15	90°	7.5	8	308
268-A	15	90°	7.5	12	308
269	19	90°	9.5	8	385
269-A	19	90°	9.5	12	385
269-B	25	90°	12.5	8	738
269-C	25	90°	12.5	12	738
269-D	32	90°	16	8	846
269-E	32	90°	16	12	846

▶ Cove Bits



Shank 8mm

Machines : Hand Router
Material : Solid Wood

YE-31



YE-31			
CODE	Moulding Size(mm)	Dia (mm)	Price
280	15x10	15	338
281	19x10	19	385
282	22x10	22	415
283	25x12	25	462
284	32x12	32	615
285	38x12	38	769

▶ Classical Pattern Bits



Machines : Hand Router
Material : Solid Wood

YE-29



YE-29			
CODE	Moulding Size(mm)	Dia (mm)	Price
270	15x10	15	292
271-A	19x8	19	354
271	19x10	19	354
272	22x10	22	385
272-AA	25x8	25	415
272-A	25x10	25	415
273	25x12	25	415
273-A	28x12	28	538
274	32x12	32	585

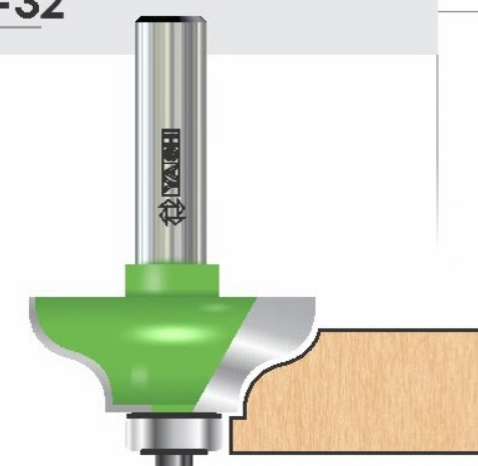
▶ Roman Ogee Bits



Shank 8mm
Bearing 12.7mm

Machines : Hand Router
Material : Solid Wood

YE-32



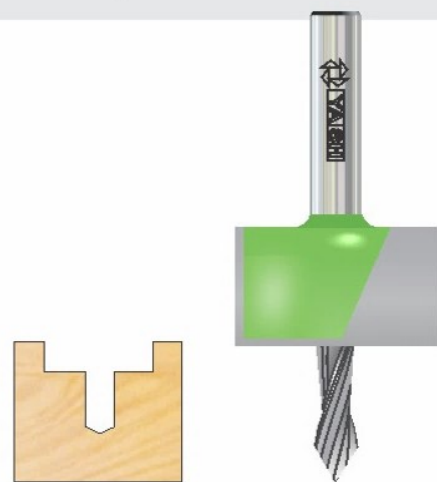
YE-32			
CODE	Moulding Size(mm)	Dia (mm)	Price
286	12x12	29	538
287	15x15	34	631
288	19x19	41	962
289	22x22	46	1077

▶ Countersink Router



YE-33

Machines : Hand Router
Material : Solid Wood



YE-33 Available As Sample or As Drawing

CODE	Dia	CL (mm)	Shank	Price
5289	25	25	12	2000
5290	30	25	12	2000
5291	35	25	12	2462

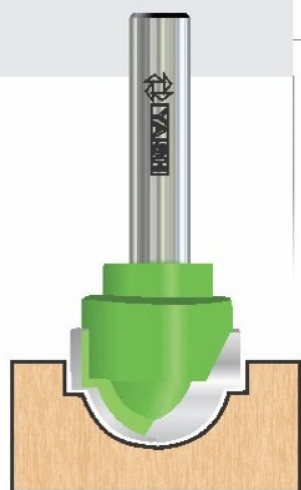
▶ Core Box Bits



Shank 8mm

YE-34

Machines : Hand Router
Material : Solid Wood



YE-34

CODE	Moulding Size(mm)	Dia (mm)	Price
294	10x8	10	231
295	12x8	12	277
296	15x8	15	292
297	19x10	19	354
298	22x10	22	415
299	25x10	25	462
300	28x10	28	538

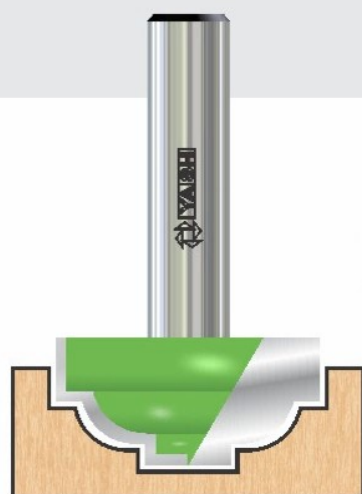
▶ Plung Cavetto Bits



Shank 8mm

YE-35

Machines : Hand Router
Material : Solid Wood



YE-35

CODE	Moulding Size(mm)	Dia (mm)	Price
301	15x8	15	338
302-A	19x8	19	369
302	19x10	19	369
303-A	20x8	20	400
303	20x10	20	400
304-A	22x8	22	423
304	22x10	22	423
305	25x10	25	500
306	25x12	25	515
307	28x12	28	585
308	32x12	32	615

▶ Double Round Mould Bits



Shank 8mm
Bearing 12.7mm

YE-36

Machines : Hand Router
Material : Solid Wood



YE-36

CODE	Moulding Size(mm)	Dia (mm)	Price
309	12x12	30	569
310	15x15	35	631
311	19x19	41	962

▶ Double Fillet Cove Bits



Shank 8mm
Bearing 12.7mm

YE-37

Machines : Hand Router
Material : Solid Wood



YE-37

CODE	Moulding Size(mm)	Dia (mm)	Price
312	15x15	35	631
313	19x19	41	754
314	22x22	47	962
315	25x25	52	1077

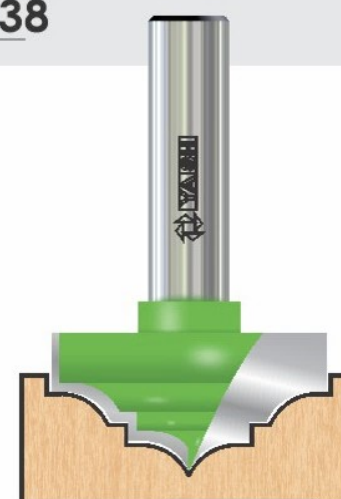
▶ Classical Bits



Shank 8mm

YE-38

Machines : Hand Router
Material : Solid Wood



YE-38

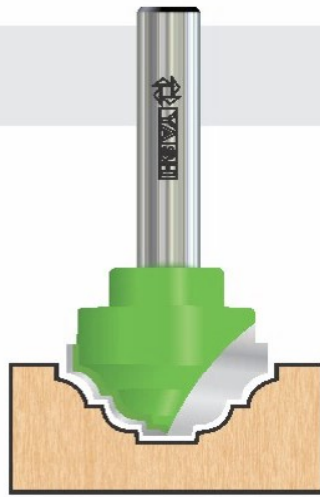
CODE	Moulding Size(mm)	Dia (mm)	Price
316	15x10	15	308
317	19x10	19	354
318	22x10	22	423
319	25x10	25	492
320	28x10	28	600

▶ Corner Bits



Shank 8mm

YE-39



Machines : Hand Router
Material : Solid Wood

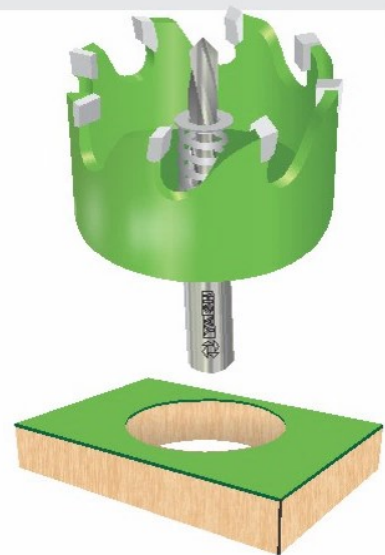
YE-39			
CODE	Moulding Size(mm)	Dia (mm)	Price
321	19x10	19	415
322	22x10	22	462
323	25x10	25	538
324	28x10	28	615

▶ Hole Saw Bits



Machines : Hand Drill & Stand Drill
Material : Solid Wood, Plywood, MDF & Particle Board

YE-40



YE-40				
CODE	Dia (mm)	Max. Depth (mm)	Shank (mm)	Price
931	35	38	10 / 12	1077
932	40	38	10 / 12	1231
933	45	38	10 / 12	1385
934	50	38	10 / 12	1539
935	55	38	10 / 12	1692
936	60	38	10 / 12	1769
937	63.5	38	10 / 12	2000
938	70	38	10 / 12	2154
939	75	38	10 / 12	2308
940	80	38	10 / 12	2462
941	85	38	10 / 12	2923
942	90	38	10 / 12	3308
943	95	38	10 / 12	3539
944	100	38	10 / 12	3846
945	125	38	10 / 12	4616
946	150	38	10, 12, 16	6000
947	175	38	10, 12, 16	7846
948	200	38	10, 12, 16	9539
949	225	38	10, 12, 16	10923
950	250	38	10, 12, 16	11693

▶ Hole Saw Bit for Aluminum Section

Shank 10mm

YE-41



Machines : Hand Drill & Stand Drill
Material : Aluminum

YE-41				
Code	DIA	MAX. DEPTH	SHANK	Price
5005	35	38	10	1385

▶ Panel Raiser



Shank 12 mm
Bearing 12.7 mm

YE-42



Machines : Hand Router & CNC Router
Material : Solid Wood

YE-42				
CODE	Wood Thick	Dia (mm)	Shank (mm)	Price
329	40x18	93	12	1692
330	40x18	93	12	1692
331	40x18	93	12	1692
332	40x18	93	12	1692
333	40x18	93	12	1692
334	40x18	93	12	1692
335	40x18	93	12	1692
336	40x18	93	12	1692
337	40x18	93	12	1692
338	40x18	93	12	1692
329-A	50x18	113	12	2000
330-A	50x18	113	12	2000
331-A	50x18	113	12	2000
332-A	50x18	113	12	2000
333-A	50x18	113	12	2000
334-A	50x18	113	12	2000
335-A	50x18	113	12	2000
336-A	50x18	113	12	2000
337-A	50x18	113	12	2000
338-A	50x18	113	12	2000

YE-42				
CODE	Wood Thick	Dia (mm)	Shank (mm)	Price
329-B	32x18	77	12	1539
330-B	32x18	77	12	1539
331-B	32x18	77	12	1539
332-B	32x18	77	12	1539
333-B	32x18	77	12	1539
334-B	32x18	77	12	1539
335-B	32x18	77	12	1539
336-B	32x18	77	12	1539
337-B	32x18	77	12	1539
338-B	32x18	77	12	1539
329-C	32x18	77	12	1539
330-C	32x18	77	12	1539
331-C	32x18	77	12	1539
332-C	32x18	77	12	1539
333-C	32x18	77	12	1539
334-C	32x18	77	12	1539
335-C	32x18	77	12	1539
336-C	32x18	77	12	1539
337-C	32x18	77	12	1539



▶ Hinge Boring Bits



Shank 10/12 mm

YE-43



Machines : Hand Drill & Stand Drill
Material : Solid Wood, Plywood, MDF & Particle Board

YE-43				
CODE	Dia (mm)	Shank (mm)	Standard Price	Log Length Price
901	15	10	385	461
902	19	10	446	523
903	20	10	462	538
904	22	12	492	569
905	25	12	538	615
906	28	12	615	692
907	30	12	662	738
908	32	12	677	754
909	34	12	692	769
910	35	12	662	738
911	36	12	738	815
912	38	12	808	884
913	40	12	846	923
914	42	12	923	1000
915	45	12	962	1038
916	48	12	1000	1077
917	50	12	1077	1154

YE-43				
CODE	Dia (mm)	Shank (mm)	Standard Price	Log Length Price
918	52	12	1115	1192
919	55	12	1154	1230
920	58	12	1192	1269
921	60	12	1231	1307
922	63.5	12	1269	1346
923	65	12	****	****
924	70	12	****	****
925	75	12	****	****
926	80	12	****	****
927	85	12	****	****
928	90	12	****	****
929	95	12	****	****
930	100	12	****	****

Also Available In Long Length

▶ HSS Slot Motorized Drill "V" Bit

Shank 13mm

Machines : Chain Motorized Machine
Material : Solid Wood & Soft Wood

YE-44



YE-44

CODE	CD	CL	TL	SD	Z	Price
5006	6	40	100	13	2	1000
5007	8	50	100	13	2	1000
5008	10	60	100	13	2	1000
5009	12	60	100	13	2	1000
5010	14	60	100	13	2	1500
5011	16	60	100	13	2	1500
5012	18	60	100	13	2	1800
5013	20	60	100	13	2	2000

▶ T.C.T. Long Slot Drill Bit

Shank 12mm

Machines : Hand Drill & Stand Drill
Material : Solid Wood

YE-45



YE-45

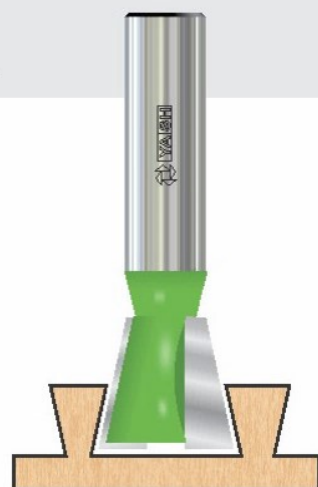
CODE	Cutting Dia	Cutting Length	Shank	Roatation	Price
497	3/8"	40	12	RIGHT	585
497-A	3/8"	40	12	LEFT	585
498	1/2"	40	12	RIGHT	692
498-A	1/2"	40	12	LEFT	692

▶ Dovetail Bits

Shank 12mm

Machines : Hand Router & CNC Router
Material : Solid Wood

YE-46



YE-46

CODE	Cutting Dia	Cutting Length	Price
430	12.7	12.7	508
431	15.8	16	538
432	19	20	585
432-A	25.4	26	692

▶ Corner Radius Bits

ROTATE | MAC | MAN

Shank 6mm,6.35mm,8mm & 12mm
Bearing 12.7 mm

Machines : Hand Router
Material : Solid Wood

YE-47



YE-47

CODE	Cutting Dia	Cutting Radius	Cutting Length (mm)	B	Price
433	15	2R	6	2	554
434	18	3R	7	3	554
435	22	4R	10	4	554
436	25	6R	11	6	769
437	30	9R	16	9	923
438	38	12R	19	12	923
439	45	16R	22	16	1100
440	51	19R	25	19	1231
441	58	22R	28	22	1308
442	65	25R	32	25	1462

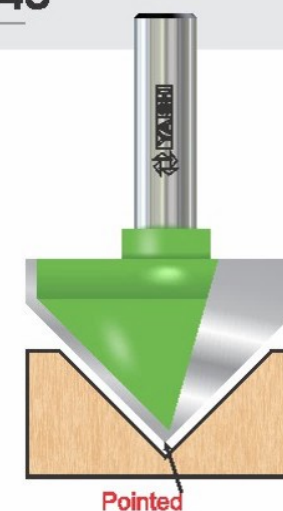
▶ "V" Groove Bits

ROTATE | MAC | MAN

Shank 6mm,6.35mm,8mm & 12mm

Machines : Hand Router
Material : Solid Wood

YE-48



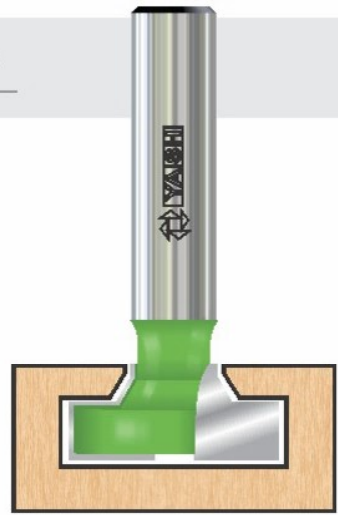
YE-48

CODE	Dia	Degree (mm)	Height (mm)	Shank (mm)	Price
443	19	90°	9.5	8	615
443-A	19	90°	9.5	6	615
443-B	19	90°	9.5	6.35	615
443-C	19	90°	9.5	12	615
444	22	90°	11	8	677
444-A	22	90°	11	6	677
444-B	22	90°	11	6.35	677
444-C	22	90°	11	12	738
445	25	90°	12.5	8	738
445-A	25	90°	12.5	6	738
445-B	25	90°	12.5	6.35	846
445-C	25	90°	12.5	12	885
446	32	90°	16	8	846
446-A	32	90°	16	6	846
446-B	32	90°	16	6.35	846
446-C	32	90°	16	12	885
447	32	120°	13	8	846
447-A	32	120°	13	6	846
447-B	32	120°	13	6.35	846
447-C	32	120°	13	12	885
448	32	140°	10	8	846
448-A	32	140°	10	6	846
448-B	32	140°	10	6.35	846
448-C	32	140°	10	12	885
449	32	150°	9	8	846
449-A	32	150°	9	6	846
449-B	32	150°	9	6.35	846
449-C	32	150°	9	12	885

▶ T-Slotting Bits

Shank 12mm

YE-49



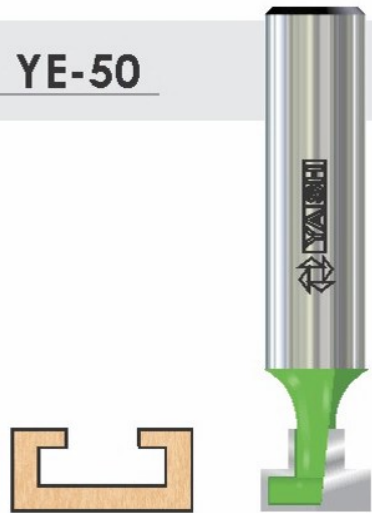
Machines : Hand Router
Material : Solid Wood, MDF & Plywood

YE-49						
CODE	Dia (mm)	H1	H2	Shank	Price	
450	29	13.50	8	12	1077	

▶ T-Slot Bit

Shank 8mm/ 12mm

YE-50



Machines : Hand Router
Material : Solid Wood, MDF & Plywood

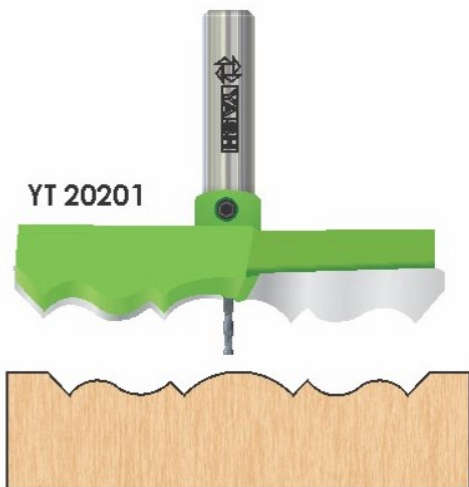
YE-50						
CODE	Dia (mm)	D1	B (mm)	H	Shank	Price
451	9.52	6.35	4.76	9.5	8	500
451A	9.52	6.35	4.76	9.5	12	500
452	12.7	6.35	4.76	9.5	8	500
452A	12.7	6.35	4.76	9.5	12	500

▶ Flower Router Bits

Shank 12mm

YE-51

for making Attractive Flower Style Design



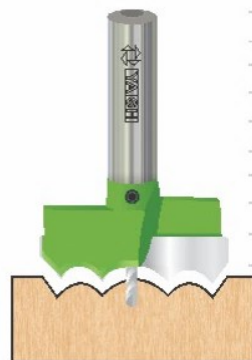
Machines : Hand Drill Machine, Stand Drill & CNC machine
Material : Solid Wood & MDF

YE-51		
Dia	Depth	Price
19	6mm	693
25	6mm	769
32	6mm	846
35	6mm	846
38	6mm	923
40	6mm	923
45	6mm	1038
50	6mm	1154
65	6mm	1462
75	6mm	1615
100	6mm	2077
125	6mm	2539
150	6mm	3154

YT 20202



YT 20203



▶ Counter Profile

ROTATE | MAC | MAN

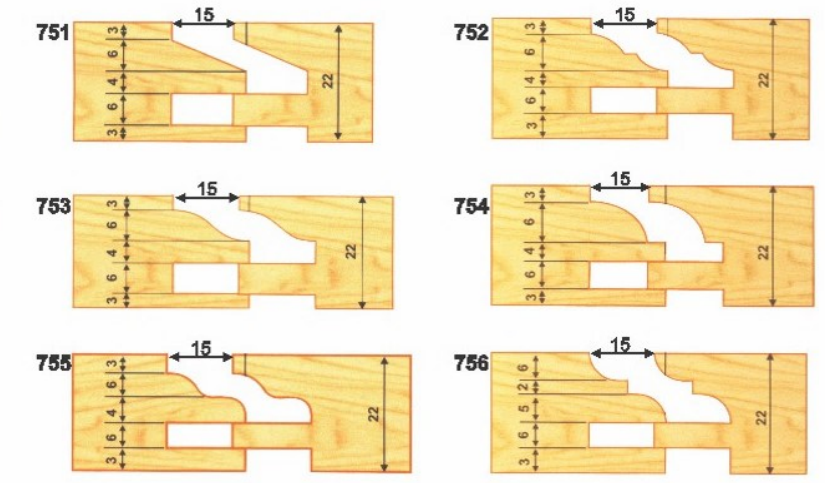
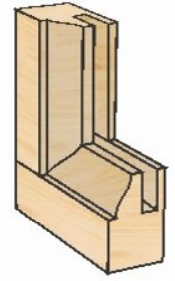
Shank 12mm
Bearing 22 mm

YE-52 MALE - FEMALE

Machines : Hand Router Machine
Material : Solid Wood



YE-52			
CODE	Moulding Size(mm)	Dia (mm)	Price
751	22*	45	4000
752	22*	45	4000
753	22*	45	4000
754	22*	45	4000
755	22*	45	4000
756	22*	45	4000



▶ Handle Profile Router Bit

ROTATE | MAC | MAN

Shank 8mm/12mm

YE-53



Machines : CNC Machine
Material : Solid Wood

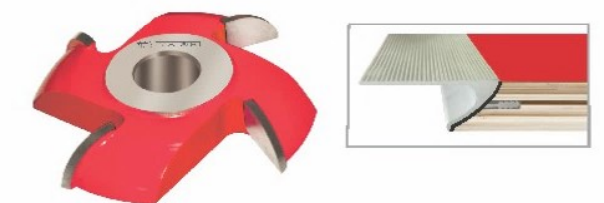
YE-53				
CODE	Board Thick	Dia (mm)	Shank (mm)	Price
5014	18mm	50	8	2154
5015	18mm	50	12	2154
5016	18mm	60	12	2461

▶ J Profile

Only for MDF No Partical Board No Solid Wood



YE-54					
CODE	D	THICK	BORE	Z	Price
5017	150	18	30 / 31.75	3	5307
5018	175	18	30 / 31.75	3	5538



YE-55					
CODE	D	RADIUS	BORE	Z	Price
5019	125	18/25R	30 / 31.75	3	3231

DIAMOND TECHNOLOGY

PCD MEMBRANE ROUTER BITS



1st Time in India
PCD ROUTER BITS
Make by **YASH** TOOLING SYSTEM

Tool life is expected up to
25 times longer
when compared with carbide tipped tooling
Saves time and money
Consistently good component surface finish

CHALLENGE
UNBEATABLE PRICE
WITH SUPERIOR QUALITY

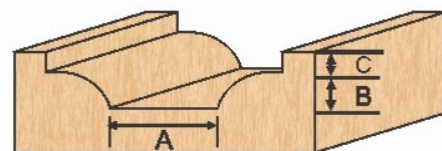
▶ PCD Membrane Router Bit

YE-55-A

DIAMOND TECHNOLOGY
PCD MEMBRANE ROUTER BITS



25 times longer



Machines : CNC Machine
Material : Solid Wood, MDF & Plywood

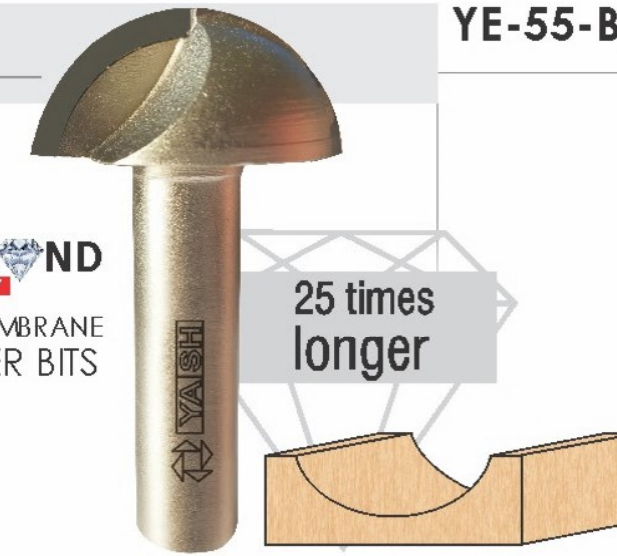
YE-55-A					
CODE	Dia (mm)	A (mm)	B (mm)	Shank	Price
5317	25	10	1mm	12	-
5318	25	10	1.5mm	12	-
5319	25	10	2mm	12	-
5320	25	10	2.5mm	12	-
5321	25	10	3mm	12	-
5322	25	10	4mm	12	-
5323	30	14	1mm	12	-
5324	30	14	1.5mm	12	-
5325	30	14	2mm	12	-
5326	30	14	2.5mm	12	-
5327	30	14	3mm	12	-
5328	30	14	4mm	12	-
5329	32	15	1mm	12	-
5330	32	15	1.5mm	12	-
5331	32	15	2mm	12	-
5332	32	15	2.5mm	12	-
5333	32	15	3mm	12	-
5334	32	15	4mm	12	-
5335	35	17	1mm	12	-
5336	35	17	1.5mm	12	-
5337	35	17	2mm	12	-
5338	35	17	2.5mm	12	-
5339	35	17	3mm	12	-
5340	35	17	4mm	12	-
5341	38	18	1mm	12	-
5342	38	18	1.5mm	12	-
5343	38	18	2mm	12	-
5344	38	18	2.5mm	12	-
5345	38	18	3mm	12	-
5346	38	18	4mm	12	-
5347	40	20	1mm	12	-
5348	40	20	1.5mm	12	-
5349	40	20	2mm	12	-
5350	40	20	2.5mm	12	-
5351	40	20	3mm	12	-
5352	40	20	4mm	12	-

▶ PCD Membrane Router Bit

YE-55-B

Machines : CNC Machine
Material : Solid Wood, MDF & Plywood

DIAMOND TECHNOLOGY
PCD MEMBRANE ROUTER BITS



25 times longer

YE-55-B				
CODE	Dia (mm)	Radius	Shank	Price
5353	12	6R	12	-
5354	15	7.5R	12	-
5355	19	9.5R	12	-
5356	25	12.5R	12	-
5357	30	15R	12	-
5358	32	16R	12	-
5359	35	17.5R	12	-
5360	38	19R	12	-
5361	40	20R	12	-

▶ PCD Membrane Router Bit

YE-55-C

DIAMOND TECHNOLOGY
PCD MEMBRANE ROUTER BITS

Machines : CNC Machine
Material : Solid Wood, MDF & Plywood



25 times longer

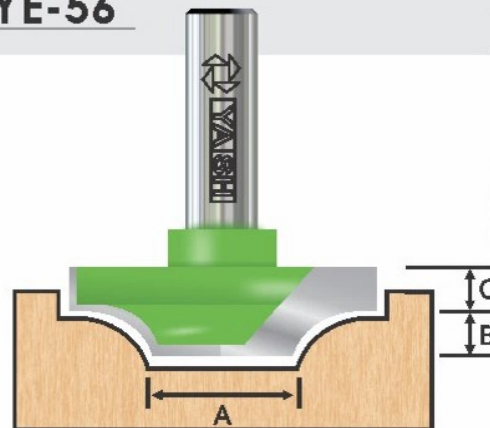
YE-55-C				
CODE	Dia (mm)	Radius	Shank	Price
5362	12	1/R18.5	12	-
5363	12	1.5/R12.8	12	-
5364	12	2/R9.9	12	-
5365	12	2.5/R8.5	12	-
5366	15	1/R28.6	12	-
5367	15	1.5/R19.5	12	-
5368	15	2/R15.1	12	-
5369	15	2.5/R12.5	12	-
5370	19	1/R45.6	12	-
5371	19	1.5/R30.8	12	-
5372	19	2/R23.6	12	-
5373	19	2.5/R19.3	12	-
5374	25	1/R78.6	12	-
5375	25	1.5/R52.8	12	-
5376	25	2/R40.1	12	-
5377	25	2.5/R32.5	12	-
5378	25	3/R27.5	12	-
5379	30	1/R113.0	12	-
5380	30	1.5/R75.8	12	-
5381	30	2/R57.3	12	-
5382	30	2.5/R46.3	12	-
5383	30	3/R38.9	12	-
5384	32	1/R128.5	12	-
5385	32	1.5/R86.1	12	-
5386	32	2/R65.0	12	-
5387	32	2.5/R52.5	12	-
5388	32	3/R44.2	12	-
5389	35	1/R153.6	12	-
5390	35	1.5/R102.8	12	-
5391	35	2/R77.6	12	-
5392	35	2.5/R62.5	12	-
5393	35	3/R52.5	12	-
5394	38	1/R181.0	12	-
5395	38	1.5/R121.1	12	-
5396	38	2/R91.3	12	-
5397	38	2.5/R73.5	12	-
5398	38	3/R61.7	12	-
5399	40	1/R200.5	12	-
5400	40	1.5/R134.1	12	-
5401	40	2/R101.0	12	-
5402	40	2.5/R81.3	12	-
5403	40	3/R68.2	12	-

▶ Classical Designs for MEMBRANE DOOR & SHUTTERS

Shank 12mm

Machines : CNC Machine
Material : Flush Door, MDF

YE-56



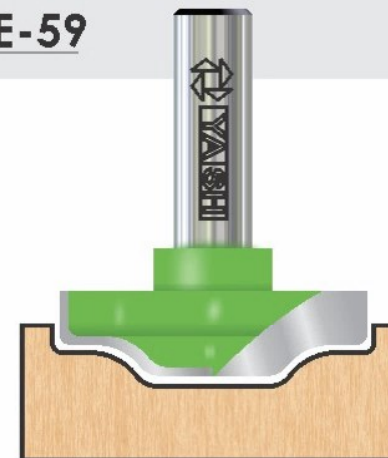
YE-56					
CODE	Dia (mm)	A (mm)	B (mm)	C (mm)	Price
458-B	12	5	1/1.5/2/2.5	6	462
458-C	15	5	1/1.5/2/2.5	6	462
458-A	25	10	1/1.5/2/2.5	6	615
458	28	13	1/1.5/2/2.5	6	692
459	30	14	1/1.5/2/2.5	6	692
460	32	15	1/1.5/2/2.5	6	692
461	35	17	1/1.5/2/2.5	6	692
462	38	18	1/1.5/2/2.5	6	923
463	40	20	1/1.5/2/2.5	6	923

▶ Plung Ogee Fillet for MEMBRANE DOOR & SHUTTERS

Shank 12mm

Machines : CNC Machine
Material : Flush Door, MDF

YE-59



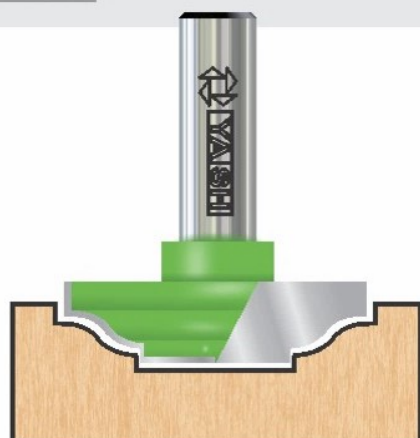
YE-59					
CODE	Dia (mm)	A (mm)	B (mm)	C (mm)	Price
476-A	25	10	1/1.5/2/2.5	6	615
476	28	13	1/1.5/2/2.5	6	692
477	30	14	1/1.5/2/2.5	6	692
478	32	15	1/1.5/2/2.5	6	692
479	35	17	1/1.5/2/2.5	6	692
480	38	18	1/1.5/2/2.5	6	923
481	40	20	1/1.5/2/2.5	6	923

▶ Plung Ogee Bits for MEMBRANE DOOR & SHUTTERS

Shank 12mm

Machines : CNC Machine
Material : Flush Door, MDF

YE-57



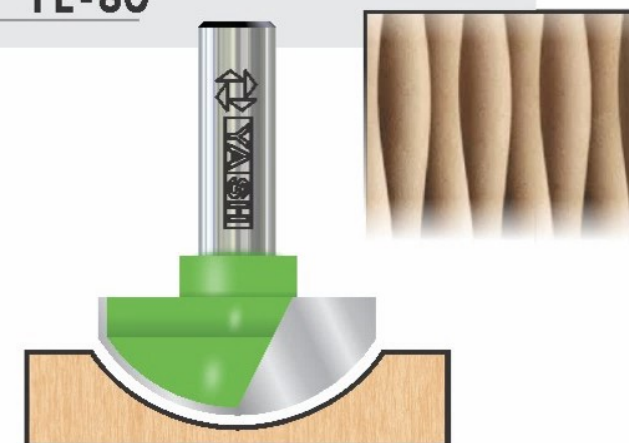
YE-57					
CODE	Dia (mm)	A (mm)	B (mm)	C (mm)	Price
464A	25	10	2/2.5/3	6	615
464	28	13	2/2.5/3	6	692
465	30	14	2/2.5/3	6	692
466	32	15	2/2.5/3	6	692
467	35	17	2/2.5/3	6	692
468	38	18	2/2.5/3	6	923
469	40	20	2/2.5/3	6	923

▶ Half Round for Wave Board for MEMBRANE DOOR & SHUTTERS

Shank 12mm

Machines : CNC Machine
Material : Flush Door, MDF

YE-60



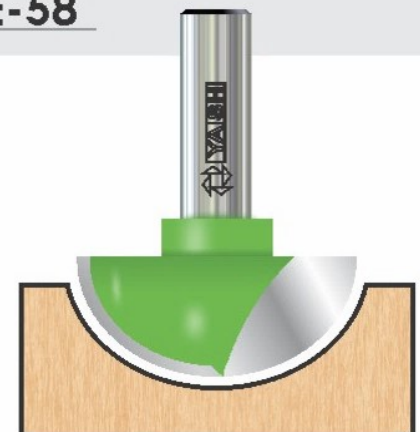
YE-60				
CODE	Dia (mm)	B (mm)	C (mm)	Price
482	12	1/1.5/2/2.5	6	462
483	15	1/1.5/2/2.5	6	462
484	19	1/1.5/2/2.5	6	538
485	25	1/1.5/2/2.5	6	585
486	28	1/1.5/2/2.5	6	616
487	30	1/1.5/2/2.5	6	654
488	32	1/1.5/2/2.5	6	654
489	35	1/1.5/2/2.5	6	692
490	40	1/1.5/2/2.5	6	923
491	45	1/1.5/2/2.5	6	923
492	50	1/1.5/2/2.5	6	1385

▶ Round Nose Bits for MEMBRANE DOOR & SHUTTERS

Shank 12mm

Machines : CNC Machine
Material : Flush Door, MDF

YE-58



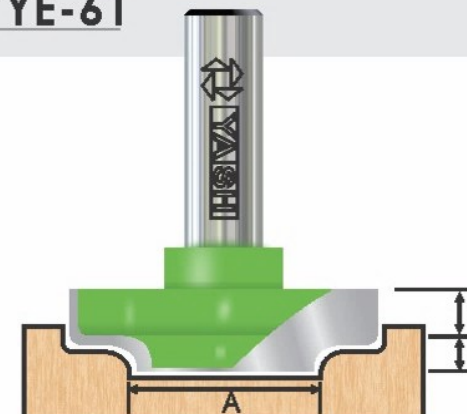
YE-58				
CODE	Dia (mm)	R (mm)	C (mm)	Price
470A	12	6	6	462
470B	15	7.5	6	462
470C	19	9.5	6	538
470D	25	12.5	6	585
470	28	14	6	616
471	30	15	6	654
471-A	30	17.5	6	654
472	32	16	6	692
473	35	17.5	6	692
474	38	19	6	923
475	40	20	6	923
475-A	50	25	6	1385

▶ Step Ogee Tools for MEMBRANE DOOR & SHUTTERS

Shank 12mm

Machines : CNC Machine
Material : Flush Door, MDF

YE-61



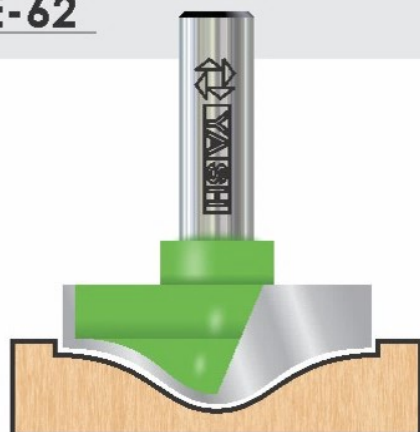
YE-61					
CODE	Dia (mm)	A (mm)	B (mm)	C (mm)	Price
493	25	10	1/1.5/2/2.5	6	615
493A	28	13	1/1.5/2/2.5	6	692
493B	30	14	1/1.5/2/2.5	6	692
493C	32	15	1/1.5/2/2.5	6	692
493D	35	17	1/1.5/2/2.5	6	692
493E	38	18	1/1.5/2/2.5	6	923
493F	40	20	1/1.5/2/2.5	6	923

▶ Ogee Bits

for MEMBRANE DOOR & SHUTTERS

Shank 12mm

YE-62



Machines : CNC Machine
Material : Flush Door, MDF

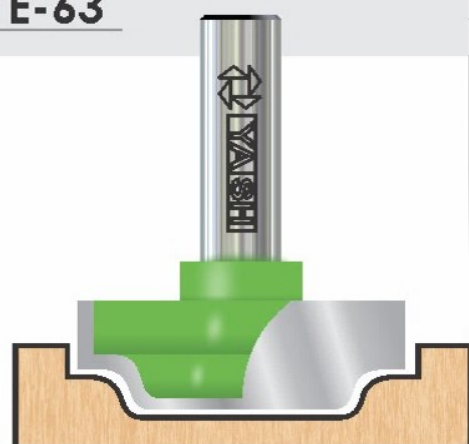
YE-62					
CODE	Dia (mm)	B (mm)	C (mm)	Price	
494	25	1/1.5/2/2.5	6	615	
494A	28	1/1.5/2/2.5	6	692	
494B	30	1/1.5/2/2.5	6	692	
494C	32	1/1.5/2/2.5	6	692	
494D	35	1/1.5/2/2.5	6	692	
494E	38	1/1.5/2/2.5	6	923	
494F	40	1/1.5/2/2.5	6	923	

▶ Step with Round Tool

for MEMBRANE DOOR & SHUTTERS

Shank 12mm

YE-63



Machines : CNC Machine
Material : Flush Door, MDF

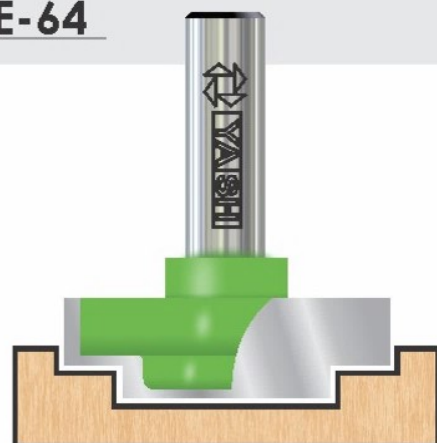
YE-63					
CODE	Dia (mm)	A (mm)	B (mm)	C (mm)	Price
495	25	10	1/1.5/2/2.5	6	615
495A	28	13	1/1.5/2/2.5	6	692
495B	30	14	1/1.5/2/2.5	6	692
495C	32	15	1/1.5/2/2.5	6	692
495D	35	17	1/1.5/2/2.5	6	692
495E	38	18	1/1.5/2/2.5	6	923
495F	40	20	1/1.5/2/2.5	6	923

▶ Step Tool

for MEMBRANE DOOR & SHUTTERS

Shank 12mm

YE-64



Machines : CNC Machine
Material : Flush Door, MDF

YE-64					
CODE	Dia (mm)	A (mm)	B (mm)	C (mm)	Price
496	25	10	1/1.5/2/2.5	6	615
496A	28	13	1/1.5/2/2.5	6	692
496B	30	14	1/1.5/2/2.5	6	692
496C	32	15	1/1.5/2/2.5	6	692
496D	35	17	1/1.5/2/2.5	6	692
496E	38	18	1/1.5/2/2.5	6	923
496F	40	20	1/1.5/2/2.5	6	923

▶ T.C.T Straight Bits (Brazed) Cleaning Bottom Bits

Shank 12mm

YE-65



Machines : CNC Machine
Material : Flush Door, MDF

YE-65					
CODE	CD	CL	SD	Z	Price
5020	25	12	12	2	808
5021	28	12	12	2	846
5022	30	12	12	2	846
5023	32	12	12	2	923
5024	35	12	12	2	923
5025	38	12	12	2	1046
5026	40	12	12	2	1077
5027	45	12	12	2	1154
5028	50	12	12	2	1231

▶ Bearing for All Router Bits

YE-66



YE-66			
CODE	Dia	Depth	Price
5029	6.35	3.1	65
5030	9.5	4.7	41
5031	12.7	4.7	34

▶ Allen Key Screw

YE-67



YE-67		
CODE	Dia	Price
5032	3mm	10

▶ HSS Single Flute Endmill for Aluminum

YE-68



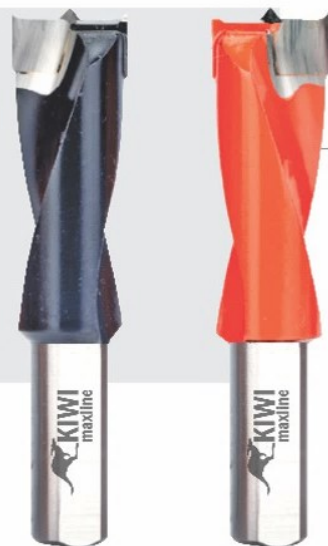
Machines : Boring Machine, CNC Router, Hand drill.
Material : Upvc, Alluminum Section, Composite Panel.

YE-68					
CODE	Dia (mm)	TL	Teeth	Shank	Price
5033	5	80	1	8mm	1616
5034	6	80	1	8mm	1385
5035	8	80	1	8mm	1231
5036	10	80	1	8mm	1693



▶ Blind Hole Boring Bits for Bi Laminated Panels

YE-69



Machines : Manual and CNC Boring Machines
Material : Solid Wood , Particle Board, MDF, Laminated Ply

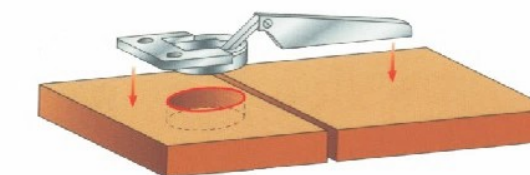
YE-69				
CODE	CD	SD	TL	Price
MB-3R	3	10	57.5 / 70	515
MB-3L	3	10	57.5 / 70	515
MB-4R	4	10	57.5 / 70	515
MB-4L	4	10	57.5 / 70	515
MB-5R	5	10	57.5 / 70	531
MB-5L	5	10	57.5 / 70	531
MB-6R	6	10	57.5 / 70	569
MB-6L	6	10	57.5 / 70	569
MB-7R	7	10	57.5 / 70	616
MB-7L	7	10	57.5 / 70	616
MB-8R	8	10	57.5 / 70	477
MB-8L	8	10	57.5 / 70	477
MG-9R	9	10	57.5 / 70	708
MB-9L	9	10	57.5 / 70	708
MB-10R	10	10	57.5 / 70	477
MB-10L	10	10	57.5 / 70	477
MB-11R	11	10	57.5 / 70	616
MB-11L	11	10	57.5 / 70	616
MB-12R	12	10	57.5 / 70	616
MB-12L	12	10	57.5 / 70	616
MB-15R	15	10	57.5 / 70	816
MB-15L	15	10	57.5 / 70	816

▶ Cylinder (Hinges) Hole Boring Bits for Bi Laminated Panels

YE-71



Machines : Manual and CNC Boring Machines
Material : Solid Wood , Particle Board, MDF, Laminated Ply



YE-71				
CODE	CD	SD	TL	Price
HB 15R	15	10	57.5/70	816
HB 15L	15	10	57.5/70	816
HB 18R	18	10	57.5/70	831
HB 18L	18	10	57.5/70	831
HB 20R	20	10	57.5/70	916
HB 20L	20	10	57.5/70	916
HB 25R	25	10	57.5/70	916
HB 25L	25	10	57.5/70	916
HB 30R	30	10	57.5/70	969
HB 30L	30	10	57.5/70	969
HB 35R	35	10	57.5/70	969
HB 35L	35	10	57.5/70	969
HB 63R	63.5	10	57.5/70	2446
HB 63L	63.5	10	57.5/70	2446

▶ Thru Hole Boring Bits for Bi Laminated Panels

YE-70



Machines : Manual and CNC Boring Machines
Material : Solid Wood , Particle Board, MDF, Laminated Ply

YE-70				
CODE	CD	SD	TL	Price
DMBT 3R	3	10	57.5 / 70	615
DMBT 3L	3	10	57.5 / 70	615
DMBT 4R	4	10	57.5 / 70	615
DMBT 4L	4	10	57.5 / 70	615
DMBT 5R	5	10	57.5 / 70	692
DMBT 5L	5	10	57.5 / 70	692
DMBT 6R	6	10	57.5 / 70	731
DMBT 6L	6	10	57.5 / 70	731
DMBT 7R	7	10	57.5 / 70	769
DMBT 7L	7	10	57.5 / 70	769
DMBT 8R	8	10	57.5 / 70	769
DMBT 8L	8	10	57.5 / 70	769
DMBT 10R	10	10	57.5 / 70	846
DMBT 10L	10	10	57.5 / 70	846
DMBT 12R	12	10	57.5 / 70	923
DMBT 12L	12	10	57.5 / 70	923

▶ Blind Hole Boring Bits for Bi Laminated Panels

YE-72



Machines : Manual and CNC Boring Machines
Material : Solid Wood , Particle Board, MDF, Laminated Ply

YE-72				
CODE	CD	SD	TL	Price
MB-08R	8	10	105	1154
MB-08L	8	10	105	1154
MB-10R	10	10	105	1154
MB-10L	10	10	105	1154
MB-12R	12	10	105	1231
MB-12L	12	10	105	1231
MB-15R	15	10	105	1323
MB-15L	15	10	105	1323

► Solid Carbide End Mill

Machines : CNC
Material : Solid Wood , Particle Board, MDF, Laminated Ply

YE-73



An end mill is a type of milling cutter, a cutting tool used in industrial milling applications. It is distinguished from the drill bit in its application, geometry, and manufacture. While a drill bit can only cut in the axial direction, a milling bit can generally cut in all directions, though some cannot cut axially. End mills are used on workpieces with complex surfaces.

YE-73						
CODE	Dia (mm)	CL	Total Length	Shank	Price	
EM 1	1	4	38	3	331	
EM 1A	1.5	6	38	3	331	
EM 2	2	8	38	3	331	
EM 3	3	15	38	3	346	
EM 3A	3	30	75	3	769	
EM 3AB	3	50	100	3	923	
EM 4	4	20	50	4	400	
EM 4A	4	40	75	4	769	
EM 4B	4	50	100	4	923	
EM 5	5	22	50	5	538	
EM 5A	5	40	75	5	923	
EM 5B	5	50	100	5	1154	
EM 6	6	25	50	6	692	
EM 6A	6	40	75	6	1154	
EM 6B	6	50	100	6	1385	
EM 8	8	25	60	8	1077	
EM 8A	8	40	75	8	1615	
EM 8B	8	50	100	8	1846	
EM 10	10	30	75	10	2154	
EM 10A	10	50	100	10	2769	
EM 10B	10	75	150	10	3846	
EM 12	12	30	75	12	2462	
EM 12A	12	40	75	12	2231	
EM 12B	12	50	100	12	3693	
EM 12C	12	60	150	12	4923	
EM 12 D	12	75	150	12	4923	
EM 14	14	50	100	14	4308	
EM 16	16	50	100	16	5231	

► Solid Carbide Ball Nose

Machines : CNC
Material : Solid Wood , Particle Board, MDF, Laminated Ply

YE-74



used for milling contoured surfaces, slotting and pocketing. A ball end mill is constructed of a round cutting edge and used in the 3d machining on the wood & Laminated Plywood, Ball Nose are used on workpieces with complex surfaces.

EM-74						
CODE	Dia (mm)	CL	Total Length	Shank	Price	
BN 1	1	4	38	3	331	
BN 1A	1.5	6	38	3	331	
BN 2	2	8	38	3	331	
BN 3	3	15	38	3	346	
BN 3A	3	30	75	3	769	
BN 3AB	3	50	100	3	923	
BN 4	4	20	50	4	400	
BN 4A	4	40	75	4	769	
BN 4B	4	50	100	4	923	
BN 5	5	22	50	5	538	
BN 5A	5	40	75	5	923	
BN 5B	5	50	100	5	1154	
BN 6	6	25	50	6	692	
BN 6A	6	40	75	6	1154	
BN 6B	6	50	100	6	1385	
BN 8	8	25	60	8	1077	
BN 8A	8	40	75	8	1615	
BN 8B	8	50	100	8	1846	
BN 10	10	30	75	10	2154	
BN 10A	10	50	100	10	2769	
BN 10B	10	75	150	10	3846	
BN 12	12	30	75	12	2462	
BN 12A	12	40	75	12	2231	
BN 12B	12	50	100	12	3693	
BN 12C	12	60	150	12	4923	
BN 12D	12	75	150	12	4923	
BN 14	14	50	100	14	4308	
BN 16	16	50	100	16	5231	

► Solid Carbide Single Flut Tool

Machines : CNC
Material : Acrylic, Plastic & ACP

YE-75



YE-75						
CODE	Dia (mm)	CL	Total Length	Shank Dia	Teeth	Price
5037	3	12	38	3	1	415
5038	4	16	45	4	1	538
5039	5	20	50	5	1	615
5040	6	25	50	6	1	769
5041	8	30	60	8	1	1231

► Solid Carbide Straight Bits-SS

Machines : CNC
Material : Solid Wood , Particle Board, MDF, Laminated Ply

YE-76

Steel Shank

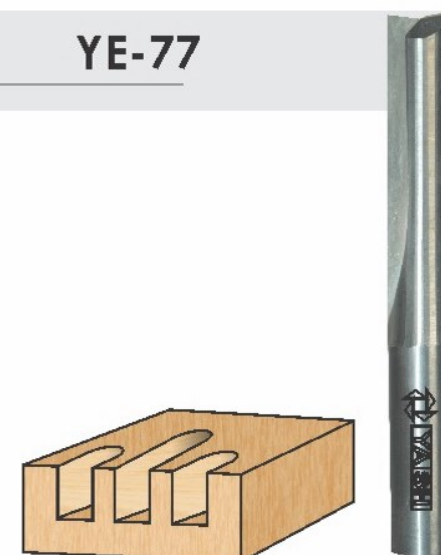


YE-76						
CODE	Dia	CL	Total Length	Shank Dia	Teeth	Price
425-A	2	8	50	6	2	385
425-B	2	8	50	6.35	2	385
425	2	8	50	8	2	385
425-C	2	8	50	12	2	385
426-A	3	12	50	6	2	462
426-B	3	12	50	6.35	2	462
426	3	12	50	8	2	462
426-C	3	12	50	12	2	462
427-A	4	16	50	6	2	577
427-B	4	16	50	6.35	2	577
427	4	16	50	8	2	577
427-C	4	16	50	12	2	577
428	6	16	50	8	2	692
428-A	6	16	50	12	2	769
429	8	20	60	12	2	1385
429-A	10	30	70	12	2	1846
429-B	12	30	70	12	2	1846

► Solid Carbide Straight Bits

Machines : CNC
Material : Solid Wood , Particle Board, MDF, Laminated Ply

YE-77



YE-77						
CODE	Dia	CL	Total Length	Shank Dia	Teeth	Price
453-A	3	15	50	3	2	616
453	4	20	50	4	2	462
453-B	5	25	50	6	2	692
454	6	25	50	6	2	692
454-A	6	40	75	6	2	923
455	8	30	65	8	2	1077
456	10	40	75	10	2	2154
457	12	40	75	12	2	2462

▶ Engraving Bits

YE-78

Use for Carving



Machines : CNC
Material : Solid Wood , Particle Board, MDF, Laminated Ply

YE-78					
CODE	Dia (mm)	Total Length	Shank Dia	Teeth	Price
5042	6	60	6	2	600
5043	6	70	6	2	654
5044	6	80	6	2	700
5045	6	100	6	2	750
5046	8	80	8	2	961
5047	8	100	8	2	1077

▶ Solid Carbide Spiral Bit for Door lock (Reaker)

YE-79

Use for Carving



Machines : CNC
Material : Solid Wood , Particle Board, MDF, Laminated Ply

YE-79					
CODE	Dia (mm)	Flute Length	Total Length	Teeth	Price
5048	14	105(55)	165	3	11539
5049	16	105(55)	165	3	13077
5050	18	105(55)	165	3	14615

▶ Solid Carbide Jewellery Bit

YE-80

Use for Carving



Machines : CNC
Material : Solid Wood , Particle Board, MDF, Laminated Ply

YE-80				
CODE	Dia (mm)	Degree	TL	Price
5051	4	30°/45°/60°	50	462
5052	6	30°/45°/60°	50	769
5053	8	30°/45°/60°	50	1077

▶ Spiral bit with 3 Flute Solid Carbide (Steel Shank)

Use for Nesting

YE-81



Features

Outstanding Fed rate up to 10000 mm/min

Extra Fine Three Flute Straight Router bit for Nesting CNC Operations

Unique Design for Superior Performance and State of the art cutting Result.



YE-81					
CODE	Dia	Length	Shank Dia	Teeth	Price
5061	4	20	8	3	769
5062	6	25	12	3	1000
5063	8	30	12	3	1846

▶ "V" Point Carving Tool

Use for Carving 2D & 3D

YE-82



Machines : CNC
Material : Solid Wood , Particle Board, MDF, Laminated Ply

YE-82			
CODE	Dia (mm)	Degree	Price
V-2	2	45	539
V-3	3	45	462
V-4	4	45	615
V-6	6	45	923
V-8	8	45	1230

▶ Long Length Carving Bit with Spiral

Use for Carving 2D & 3D

YE-83



Machines : CNC
Material : Solid Wood , Particle Board, MDF, Laminated Ply

YE-83					
CODE	d	D	C.L	OAL	Price
LLS-2A	2	6	25	60	1385
LLS-3A	3	6	25	70	1385
LLS-4A	4	6	25	70	1385
LLS-2AB	2	6	35	60	1385
LLS-3AB	3	6	35	70	1385
LLS-4AB	4	6	35	70	1385
LLS-3AC	3	8	50	100	1846
LLS-4AC	4	8	50	70	1846

▶ Corn Bit Use for Through cut Cement Sheet

YE-84



Machines : CNC
Material : Cemented Sheet & Bison Board

YE-84					
CODE	Dia	CL	Shank Dia	Shank Dia	Price
5054	1.5	10	38	6	****
5055	2	12	38	3	331
5056	2.5	12	38	3	****
5057	3	15	38	3	354
5058	4	18	50	5	430
5059	6	25	50	6	769
5060	8	32	60	8	1300

▶ Long Length Carving Bit

YE-85



Use for Carving 2D & 3D

Machines : CNC
Material : Solid Wood , Particle Board, MDF, Laminated Ply

YE-85					
CODE	d	D	C.L	OAL	Price
LLC-2A	2	6	25	65	****
LLC-3A	3	6	25	65	****
LLC-4A	4	6	25	65	****
LLC-2AB	2	6	35	75	****
LLC-3AB	3	6	35	75	****
LLC-4AB	4	6	35	75	****
LLC-3AC	3	8	50	90	****
LLC-4AC	4	8	50	90	****

► Carbide Tipped Professional Quality Straight Bits from KIWI

YE-86

Machines : Manual and CNC Routers
Material : Solid Wood, MDF & Plywood

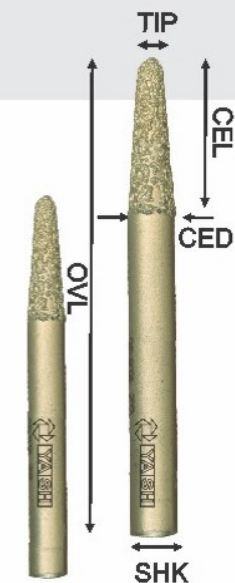
The best brazed router available in the market suitable for sizing, plunging of laminated panels. Useful for both wood & MDF.



YE-86						
CODE	CD	CL	SD	Z	Price	
5064	6	20	6	2	523	
5065	6	20	8	2	577	
5066	8	25	8	2	577	
5066 A	9	30	12	2	577	
5067	10	30	8	2	577	
5068	10	30	12	2	577	
5068 A	11	30	12	2	577	
5069	12	30	12	2	615	
5069 A	12	35	12	2	615	
5070	16	40	12	2	769	
5071	18	40	12	2	846	
5072	20	40	12	2	923	

► Conical Head Type

YE-89

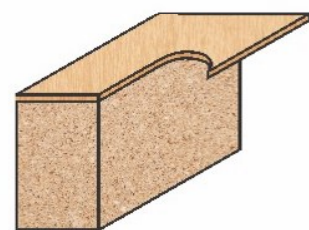


YE-89					
CODE	Shank (mm)	CED (mm)	CEL (mm)	OVL (mm)	Price
5080	4	0.5	12	60	546
5081	6	2	12	60	546
5082	6	3	12	60	545
5083	6	3	20	60	545
5084	8	3	20	90	669
5085	8	4	30	90	669
5086	8	5	30	90	669
5087	10	3	60	120	969
5088	10	4	60	120	969
5089	10	6	30	90	969
5090	12	3	100	160	1693
5091	12	4	60	120	1091
5092	12	4	100	160	1693
5093	12	6	60	120	1092
5094	12	6	100	160	1693
5095	16	6	150	230	3630

► Carbide Tipped Professional Quality Edge Trimming Bits from KIWI

YE-87

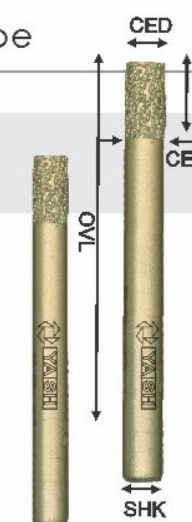
Machines : Manual and CNC Routers
Material : Solid Wood, MDF & Plywood



YE-87					
Code	D	CL	SD	Z	Price
5073	6.35	20	6	2	615
5074	6.35	20	6.35	2	615
5075	9.52	32	6.35	2	692
5076	9.52	32	8	2	692
5077	12.7	38	12	2	846

► Flate Head Type

YE-90



Use in CNC Stone Engraving Machine

YE-90					
CODE	Shank (mm)	CED (mm)	CEL (mm)	OVL (mm)	Price
5096	4	4	10	60	362
5097	6	6	12	60	362
5098	6	6	20	90	423
5099	8	8	12	60	423
5100	8	8	20	90	484
5101	10	10	12	60	484
5102	12	12	12	60	546

► Carbide Tipped Professional Quality Edge Radius making Bits from KIWI

YE-88

Machines : Manual and CNC Routers
Material : Solid Wood, MDF & Plywood



YE-88					
CODE	CD	SD	Z	Price	
5078	2R	6/6.35/8	2	662	
5079	3R	6/6.35/8	2	662	

► Flate & Ball Head Type

YE-91



Use in CNC Stone Engraving Machine

YE-91					
CODE	Shank (mm)	CED (mm)	CEL (mm)	OVL (mm)	Price
5103	6	4	9	60	492
5104	6	4	9	60	492

► Ball Head type

YE-92



Use in CNC Stone Engraving Machine

YE-93					
CODE	Shank (mm)	CED (mm)	CEL (mm)	OVL (mm)	Price
5105	6	6	12	60	393
5106	6	6	20	90	462
5107	8	8	12	60	462
5108	8	8	20	90	530
5109	10	10	12	60	530
5110	12	12	12	60	593

▶ Collets, Nuts & Spanner

Machines : CNC Router

YE-93

Use to all CNC Machine
Best router holding accessories



YE-94				
CODE	COLLET	NUTS	G HOOK SPANNER	C HOOK SPANNER
ER-11	538	769	554	600
ER-16	538	769	554	600
ER-20	538	769	554	600
ER-25	538	769	554	600
ER-32	538	769	554	600
ER-40	1077	1077	600	654

▶ Collets

YE-94

▶ Bearing Guide

YE-95



Machines : Multi Boring

YE-94					
CODE	D1	D2	D3	TL	Price
5111	19.4	10	14	40	616

YE-94					
CODE	D1	D2	D3	TL	Price
5112	18	10	12	42	616

YE-95				
CODE	D	d	Thick	Price
5113	75	30	20	1385
5114	80	30	20	1385
5115	85	30	20	1385
5116	90	30	20	1385
5117	95	30	20	1385
5118	100	30	20	1385
5119	120	30	20	1385

Machines : Spindle Moulder

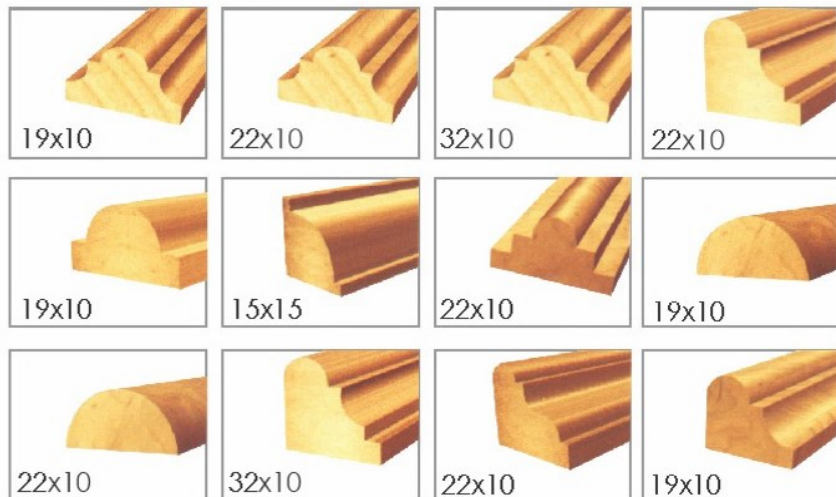
▶ Profile Blade

YE-96

12 pieces blade set as per wooden picture and size
Also available in your requirement size



OVB			
Width (mm)	Depth (mm)	Thickness (mm)	Price
UP TO 19	UP TO 12	6	654
20 TO 25	UP TO 12	6	654
26 TO 32	UP TO 12	6	831
33 TO 38	UP TO 12	6	969
39 TO 50	UP TO 12	6	1292
51 TO 60	UP TO 12	6	1569
61 TO 70	UP TO 12	6	1846
71 TO 80	UP TO 12	6	2123
81 TO 90	UP TO 12	6	2400
91 TO 100	UP TO 12	6	2769
101 TO 110	UP TO 12	6	3046
111 TO 120	UP TO 12	6	3323
121 TO 130	UP TO 12	6	3600



▶ Spiral Planning Roll

ROTATE | MAC | MAN

YE-97

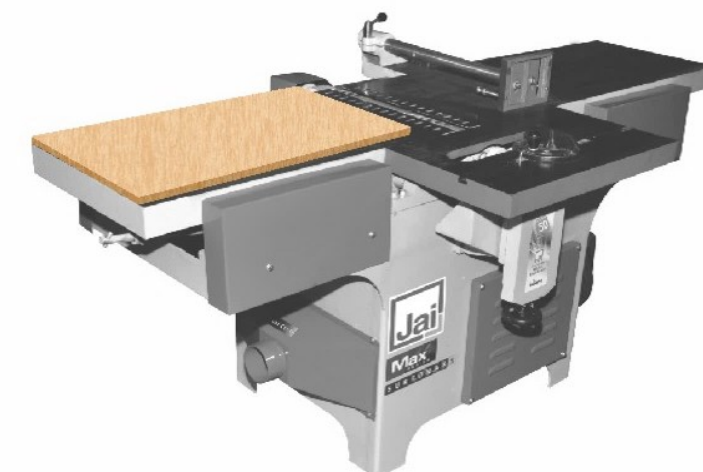
Spiral Planer Cutter Head for Thicknesser & Surfacer



Up to 24"

Smooth Surface Finishing
Long Life

The Square Knives are Sharped on all 4 edges.

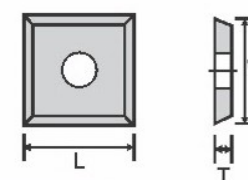


▶ TCT Turn Over Knives

YE-97-A

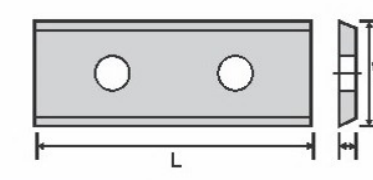


▶ 4 Cutting Edge



YE-97-A			
CODE	L(mm)	W(mm)	T(mm)
YE-97A-1	12	12	1.5
YE-97A-2	14	14	1.2
YE-97A-3	14	14	2.0
YE-97A-4	14.6	14.6	2.5
YE-97A-5	15	15	2.5

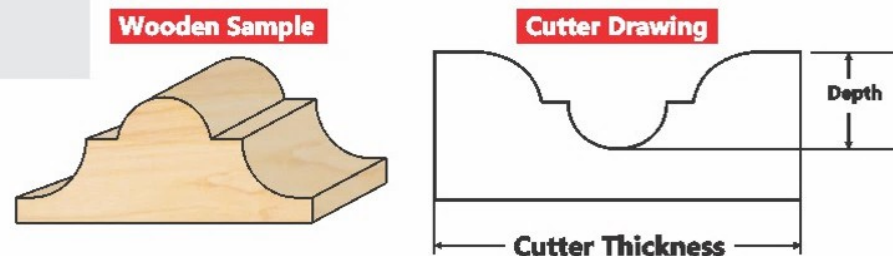
▶ 2 Cutting Edge



YE-97-A			
CODE	L(mm)	W(mm)	T(mm)
YE-97A-6	24.2	12	1.5
YE-97A-7	30	12	1.5
YE-97A-8	40	12	1.5
YE-97A-9	50	12	1.5
YE-97A-10	60	12	1.5

▶ As Per Sample or As Per Drawing

YE-98



OVB Profile Cutter (Design Depth up to 10mm)

Dia (mm)	Cutter Thick (mm)	Depth up to	Code No.	Teeth	Price	CODE	Teeth	Price
110	up to 19	10mm	YE-1910-3	3T	1692	YE-1910-4	4T	2231
110	20 to 25	10mm	YE-2510-3	3T	1923	YE-2510-4	4T	2539
110	26 to 32	10mm	YE-3210-3	3T	2462	YE-3210-4	4T	3185
110	33 to 38	10mm	YE-3810-3	3T	2923	YE-3810-4	4T	3846
110	39 to 50	10mm	YE-5010-3	3T	3846	YE-5010-4	4T	5077
110	51 to 60	10mm	YE-6010-3	3T	4569	YE-6010-4	4T	5946
110	61 to 70	10mm	YE-7010-3	3T	5308	YE-7010-4	4T	7016
110	71 to 80	10mm	YE-8010-3	3T	6369	YE-8010-4	4T	8493
110	81 to 90	10mm	YE-9010-3	3T	6908	YE-9010-4	4T	9139
110	91 to 100	10mm	YE-10010-3	3T	7646	YE-10010-4	4T	10193
110	101 to 110	10mm	YE-11010-3	3T	8385	YE-11010-4	4T	11039
110	111 to 120	10mm	YE-12010-3	3T	9139	YE-12010-4	4T	12093
110	121 to 130	10mm	YE-13010-3	3T	9969	YE-13010-4	4T	13154

OVB Profile Cutter (Design Depth up to 13mm)

Dia (mm)	Cutter Thick (mm)	Depth up to	Code No.	Teeth	Price	CODE	Teeth	Price
110	up to 19	13mm	YE-1913-3	3T	1923	YE-1913-4	4T	2539
110	20 to 25	13mm	YE-2513-3	3T	2123	YE-2513-4	4T	2769
110	26 to 32	13mm	YE-3213-3	3T	2723	YE-3213-4	4T	3600
110	33 to 38	13mm	YE-3813-3	3T	3231	YE-3813-4	4T	4246
110	39 to 50	13mm	YE-5013-3	3T	3823	YE-5013-4	4T	5077
110	51 to 60	13mm	YE-6013-3	3T	5077	YE-6013-4	4T	6769
110	61 to 70	13mm	YE-7013-3	3T	5946	YE-7013-4	4T	7846
110	71 to 80	13mm	YE-8013-3	3T	6792	YE-8013-4	4T	9046
110	81 to 90	13mm	YE-9013-3	3T	7693	YE-9013-4	4T	10193
110	91 to 100	13mm	YE-10013-3	3T	8462	YE-10013-4	4T	11262
110	101 to 110	13mm	YE-11013-3	3T	9385	YE-11013-4	4T	12423
110	111 to 120	13mm	YE-12013-3	3T	10193	YE-12013-4	4T	13585
110	121 to 130	13mm	YE-13013-3	3T	11039	YE-13013-4	4T	14646

OVB Profile Cutter (Design Depth up to 19mm)

Dia (mm)	Cutter Thick (mm)	Depth up to	Code No.	Teeth	Price	CODE	Teeth	Price
110	up to 19	19mm	YE-1919-3	3T	2031	YE-1919-4	4T	2662
110	20 to 25	19mm	YE-2519-3	3T	2231	YE-2519-4	4T	2969
110	26 to 32	19mm	YE-3219-3	3T	2862	YE-3219-4	4T	3846
110	33 to 38	19mm	YE-3819-3	3T	3385	YE-3819-4	4T	4462
110	39 to 50	19mm	YE-5019-3	3T	4462	YE-5019-4	4T	5946
110	51 to 60	19mm	YE-6019-3	3T	5508	YE-6019-4	4T	7016
110	61 to 70	19mm	YE-7019-3	3T	6277	YE-7019-4	4T	8277
110	71 to 80	19mm	YE-8019-3	3T	7108	YE-8019-4	4T	9462
110	81 to 90	19mm	YE-9019-3	3T	8077	YE-9019-4	4T	10769
110	91 to 100	19mm	YE-10019-3	3T	8923	YE-10019-4	4T	11893
110	101 to 110	19mm	YE-11019-3	3T	10000	YE-11019-4	4T	13293
110	111 to 120	19mm	YE-12019-3	3T	10769	YE-12019-4	4T	14216
110	121 to 130	19mm	YE-13019-3	3T	11577	YE-13019-4	4T	15385

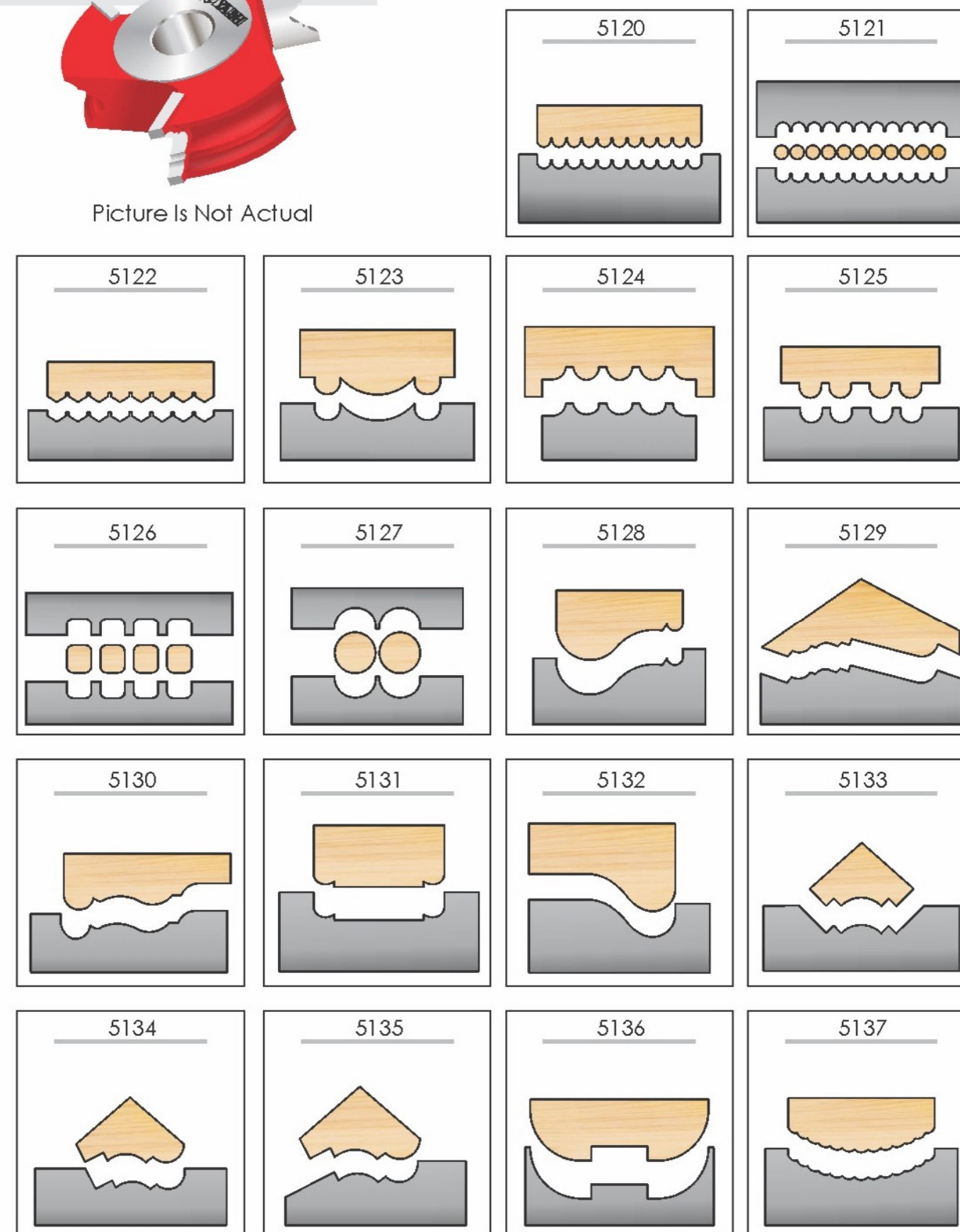
As Per Sample or As Per Drawing

YE-99



Picture Is Not Actual

Select The Code Number Then Give Us Dimension As Per Your Requirement



▶ Classical Cutter

YE-100



Note : Also available in 4 teeth

Dia : 108mm
Bore : 25.4mm
Teeth : 3 Teeth

Machines : Moulder Machine
Material : Solid Wood

YE-100			
CODE	Moulding Size(mm)	Cutter Thickness	Price
1001	15 X 8	19	1692
1002	18 X 10	25	1923
1003-A	20 X 6	25	1923
1003	20 X 8	25	1923
1004	20 X 10	25	1923
1005-A	22 X 6	25	1923
1005	22 X 8	25	1923
1006	22 X 10	25	1923
1007	25 X 10	30	2462
1008	28 X 10	32	2462
1009	32 X 10	38	2923
1010	32 X 12	38	2923
1011	36 X 15	38	3231

▶ Screen Mould Cutter

YE-103



Note : Also available in 4 teeth

Dia : 108mm
Bore : 25.4mm
Teeth : 3 Teeth

Machines : Moulder Machine
Material : Solid Wood

YE-103			
CODE	Moulding Size(mm)	Cutter Thickness	Price
1033	15 X 8	25	2031
1034	20 x 10	32	2462
1035	22 x 10	32	2462
1036	28 X 10	38	2923
1037	32 x 10	38	2923
1038	32 x 12	38	3231
1039	36 x 12	45	4246
1040	36 x 15	45	4246

▶ Cove & Full Bead Cutter

YE-101



Note : Also available in 4 teeth

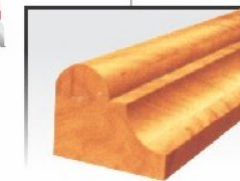
Dia : 108mm
Bore : 25.4mm
Teeth : 3 Teeth

Machines : Moulder Machine
Material : Solid Wood

YE-101				YE-101			
CODE	Moulding Size(mm)	Cutter Thickness	Price	CODE	Moulding Size(mm)	Cutter Thickness	Price
1012-A	15 X 8	19	1692	1021-A	22 X 18	32	2215
1012	15 X 10	19	1692	1021	22 X 22	32	2215
1013	15 X 15	19	1923	1022-A	28 X 10	32	2923
1014	19 X 8	25	1923	1022	28 X 12	32	2923
1015	19 X 10	25	1923	1023	28 X 15	32	3231
1016-A	19 X 15	25	2123	1024-A	32 X 10	38	2923
1016-B	19 X 19	25	2215	1024	32 X 12	38	2923
1016	20 X 8	25	1923	1025	32 X 15	38	3231
1017	20 X 10	25	1923	1026-A	35 X 10	38	3846
1018	22 X 8	25	1923	1026	35 X 12	38	3846
1019	22 X 10	25	1923	1027	36 X 15	38	4246
1020	22 X 15	25	2123				

▶ Cove Bead Cutter

YE-104



Note : Also available in 4 teeth

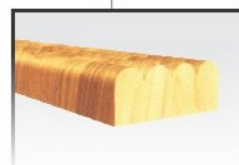
Dia : 108mm
Bore : 25.4mm
Teeth : 3 Teeth

Machines : Moulder Machine
Material : Solid Wood

YE-104			
CODE	Moulding Size(mm)	Cutter Thickness	Price
1041	10 x 15	19	1923
1042	15 x 10	19	1923
1043	15 x 15	19	1923
1044	18 X 10	25	1923
1045	22 x 10	25	1923
1046	22 x 15	25	2123

▶ Four Flute Cutter

YE-102



Note : Also available in 4 teeth

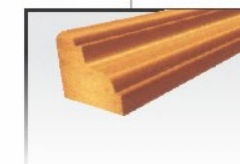
Dia : 108mm
Bore : 25.4mm
Teeth : 3 Teeth

Machines : Moulder Machine
Material : Solid Wood

YE-102			
CODE	Moulding Size(mm)	Cutter Thickness	Price
1028	20 x 8	32	2462
1029	22 x 8	32	2462
1030	22 x 10	32	2462
1031	28 X 10	38	2923
1032	35 x 10	45	3846

▶ Cove Ogee Cutter

YE-105



Note : Also available in 4 teeth

Dia : 108mm
Bore : 25.4mm
Teeth : 3 Teeth

Machines : Moulder Machine
Material : Solid Wood

YE-105			
CODE	Moulding Size(mm)	Cutter Thickness	Price
1047-A	15 X 10	19	1692
1047	15 X 15	19	1923
1048-A	19 X 10	25	1923
1048	19 X 15	25	2123
1049-A	20 X 8	25	1923
1049	20 X 10	25	1923
1050-A	22 X 8	25	1923
1050	22 X 10	25	1923
1051	22 X 15	25	2123
1052	28 X 12	32	2923
1053	28 X 15	32	3231
1054	32 X 12	38	2923
1055	32 X 15	38	3231
1056	35 X 12	38	3846
1057	35 X 15	38	4246

▶ Classical Cutter

YE-106



Note : Also available in 4 teeth

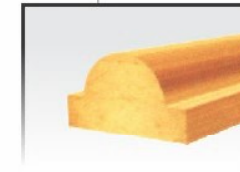
Dia : 108mm
Bore : 25.4mm
Teeth : 3 Teeth

Machines : Moulder Machine
Material : Solid Wood

YE-106			
CODE	Moulding Size(mm)	Cutter Thickness	Price
1058	15 x 8	19	1692
1059	18 x 8	25	1923
1060	18 x 10	25	1923
1061	20 x 8	25	1923
1062	20 x 10	25	1923
1063	22 x 8	25	1923
1064	22 x 10	25	1923
1065	32 x 10	32	2923
1066	32 x 12	25	2923
1067	36 x 12	38	2923
1068	36 x 15	38	3231
1069	45 x 15	50	4246

▶ Beading Cutter

YE-109



Note : Also available in 4 teeth

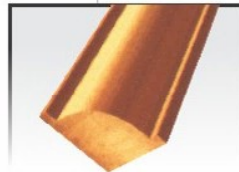
Dia : 108mm
Bore : 25.4mm
Teeth : 3 Teeth

Machines : Moulder Machine
Material : Solid Wood

YE-109			
CODE	Moulding Size(mm)	Cutter Thickness	Price
1083	12x8	19	1692
1084	15x8	19	1692
1085	20x10	25	1923
1086	22x10	25	1923
1087	28x10	32	2462
1088	32x10	38	2923
1089	32x12	38	2923
1090	36x12	38	2923

▶ Beading Cutter

YE-107



Note : Also available in 4 teeth

Dia : 108mm
Bore : 25.4mm
Teeth : 3 Teeth

Machines : Moulder Machine
Material : Solid Wood

YE-107			
CODE	Moulding Size(mm)	Cutter Thickness	Price
1070-A	8 X 8	19	1692
1070	10 X10	25	1923
1071	12 X 12	25	1923
1072	15 X 15	32	2462
1073	19 X 19	38	2923
1074-A	22 X 22	45	3846
1074	25 X 25	50	3846

To Execute this design, place the wooden job-piece at a 45° angle

▶ Multi-Form Cutter

YE-110



Note : Also available in 4 teeth

Dia : 108mm
Bore : 25.4mm
Teeth : 3 Teeth

Machines : Moulder Machine
Material : Solid Wood

YE-110			
CODE	Moulding Size(mm)	Cutter Thickness	Price
1091-A	12x12	25	1923
1091	15x15	32	2462
1092	18x18	38	2923
1093	22x22	45	3846
1094	25x25	50	3846
1095	28x28	50	3846
1096	32x32	55	2954
1097	36x36	65	5092
1098	45x22	60	4462
1099	45x45	75	5946
1100	58x36	80	5946
1101	58x58	100	7200
1102	70x35	90	6685
1103	70x70	120	8677

To Execute this design, place the wooden job-piece at a 45° angle

▶ Classical Cutter

YE-108



Note : Also available in 4 teeth

Dia : 108mm
Bore : 25.4mm
Teeth : 3 Teeth

Machines : Moulder Machine
Material : Solid Wood

YE-108			
CODE	Moulding Size(mm)	Cutter Thickness	Price
1075	18 X 10	25	1923
1076	20 X 10	25	1923
1077	22 X 10	25	1923
1078	28 X 12	32	2462
1079	32 X 10	38	2923
1080	32 X 12	38	2923
1081	36 X 12	38	2923
1082	45 x 15	50	4246

▶ Bead Cutter

YE-111



Note : Also available in 4 teeth

Dia : 108mm
Bore : 25.4mm
Teeth : 3 Teeth

Machines : Moulder Machine
Material : Solid Wood

YE-111			
CODE	Moulding Size(mm)	Cutter Thickness	Price
1104	12x5	19	1692
1105	12x7	19	1692
1106	15x7	25	1923
1107	18x10	25	1923
1108-A	19x6	25	1923
1108	19x10	25	1923
1109-A	20x8	30	2462
1109	20x10	30	2462
1110-A	22x6	32	2462
1110	22x8	32	2462
1111	22x10	32	2462
1112-A	25x8	32	2462
1112	25x10	32	2462
1113	25x12	32	2462
1114	28x12	38	3231
1115-A	32x8	38	2923
1115	32x10	38	2923
1116	32x15	38	3385
1117	36x12	45	4246
1117-A	38x8	45	4246
1117-B	38x10	45	4246
1117-C	45x6	50	4769
1117-D	45x10	50	4769

► Cevetto Cutter

YE-112



To Execute this design, place the wooden job-piece at a 45° angle

Note : Also available in 4 teeth

Dia : 108mm
Bore : 25.4mm
Teeth : 3 Teeth

Machines :Moulder Machine
Material : Solid Wood

YE-112			
CODE	Moulding Size(mm)	Cutter Thickness	Price
1118	10x10	25	1923
1119	12x12	25	1923
1120	15x15	32	2462
1121	19x19	38	2923
1122	22x22	45	3846

► Classic Cutter

YE-115



Note : Also available in 4 teeth

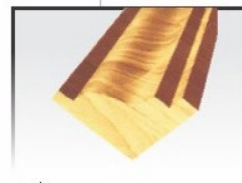
Dia : 108mm
Bore : 25.4mm
Teeth : 3 Teeth

Machines :Moulder Machine
Material : Solid Wood

YE-115			
CODE	Moulding Size(mm)	Cutter Thickness	Price
1137	15x6	19	1692
1138-A	19x5	25	1923
1138	19x8	25	1923
1139	20x8	25	1923
1140	20x10	25	1923
1141-A	22x6	25	1923
1141	22x8	25	1923
1142	22x10	32	1923
1143-A	25x6	32	2462
1143	25x8	32	2462
1143-B	25x10	32	2462
1144	28x8	32	2462
1145-A	32x6	38	2923
1145	32x8	38	2923
1146	32x10	38	2923
1147	36x10	38	2923
1147-A	42x7	50	4000

► Ogee Cutter

YE-113



To Execute this design, place the wooden job-piece at a 45° angle

Note : Also available in 4 teeth

Dia : 108mm
Bore : 25.4mm
Teeth : 3 Teeth

Machines :Moulder Machine
Material : Solid Wood

YE-113			
CODE	Moulding Size(mm)	Cutter Thickness	Price
1123	15x15	32	2462
1124	18x18	38	2923
1125	22x22	45	3846
1126	25x25	50	3846
1127	28x28	50	3846
1128	32x32	60	4462
1129	36x36	65	5077
1130	38x38	70	5077
1130-A	45x45	75	5946
1130-B	58x58	100	7200
1130-C	70x70	120	8677

► Cove Ogee Cutter

YE-116



Note : Also available in 4 teeth

Dia : 108mm
Bore : 25.4mm
Teeth : 3 Teeth

Machines :Moulder Machine
Material : Solid Wood

YE-116			
CODE	Moulding Size(mm)	Cutter Thickness	Price
1148	15x10	19	1692
1149	19x10	25	1923
1150	20x10	25	1923
1151	22x10	25	1923
1152	28x10	32	2462
1153	32x10	38	2923
1154	38x12	38	4246
1155	45x15	38	4246

► Cove Cutter

YE-114



Note : Also available in 4 teeth

Dia : 108mm
Bore : 25.4mm
Teeth : 3 Teeth

Machines :Moulder Machine
Material : Solid Wood

YE-114			
CODE	Moulding Size(mm)	Cutter Thickness	Price
1131	22x10	25	1923
1132	22x15	25	2123
1133	28x12	32	2462
1134	28x15	32	2715
1135	32x12	38	2923
1136	32x15	38	3231

► Door Profile Making Cutters Set

YE-117



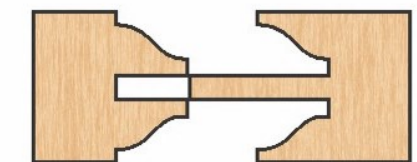
5292



5292-A



5292-B



YE-117					
CODE	Dai	Bore	Thick	Z	Price
5292-L	125	1"	8.5 x 15/5-S	4	2307
5292-R	125	1"	8.5 x 15/5-S	4	2307
5292-A	125	1"	19 x 15/5-S	3	2307
5292-B	43	12 SD	15/5-S	2	1077

▶ T.C.T. Brazed Profile Cutter

YE-118



Note : Also available in 4 teeth

Dia : 108mm
Bore : 25.4mm
Teeth : 3 Teeth

Machines : Moulder Machine
Material : Solid Wood

YE-118

CODE	Moulding Size(mm)	Cutter Thickness	Price
2101	50	60	-
2102	75	85	-
2103	100	110	-
2104	125	135	-
2105	150	160	-

▶ T.C.T. Brazed Profile Cutter

YE-119



Note : Also available in 4 teeth

Dia : 108mm
Bore : 25.4mm
Teeth : 3 Teeth

Machines : Moulder Machine
Material : Solid Wood

YE-119

CODE	Moulding Size(mm)	Cutter Thickness	Price
2106	50	60	-
2107	75	85	-
2108	100	110	-
2109	125	135	-
2110	150	160	-

▶ T.C.T. Brazed Profile Cutter

YE-120



Note : Also available in 4 teeth

Dia : 108mm
Bore : 25.4mm
Teeth : 3 Teeth

Machines : Moulder Machine
Material : Solid Wood

YE-120

CODE	Moulding Size(mm)	Cutter Thickness	Price
2111	50	60	-
2112	75	85	-
2113	100	110	-
2114	125	135	-
2115	150	160	-

▶ T.C.T. Brazed Profile Cutter

YE-121



Note : Also available in 4 teeth

Dia : 108mm
Bore : 25.4mm
Teeth : 3 Teeth

Machines : Moulder Machine
Material : Solid Wood

YE-121

CODE	Moulding Size(mm)	Cutter Thickness	Price
2116	50	60	-
2117	75	85	-
2118	100	110	-
2119	125	135	-
2120	150	160	-

▶ T.C.T. Brazed Profile Cutter

YE-122



Note : Also available in 4 teeth

Dia : 108mm
Bore : 25.4mm
Teeth : 3 Teeth

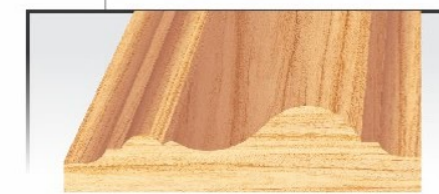
Machines : Moulder Machine
Material : Solid Wood

YE-122

CODE	Moulding Size(mm)	Cutter Thickness	Price
2121	50	60	-
2122	75	85	-
2123	100	110	-
2124	125	135	-
2125	150	160	-

▶ T.C.T. Brazed Profile Cutter

YE-123



Note : Also available in 4 teeth

Dia : 108mm
Bore : 25.4mm
Teeth : 3 Teeth

Machines : Moulder Machine
Material : Solid Wood

YE-123

CODE	Moulding Size(mm)	Cutter Thickness	Price
2126	50	60	-
2127	75	85	-
2128	100	110	-
2129	125	135	-
2130	150	160	-

▶ T.C.T. Brazed Profile Cutter

YE-124



Note : Also available in 4 teeth

Dia : 108mm
Bore : 25.4mm
Teeth : 3 Teeth

Machines : Moulder Machine
Material : Solid Wood

YE-124

CODE	Moulding Size(mm)	Cutter Thickness	Price
2131	50	60	-
2132	75	85	-
2133	100	110	-
2134	125	135	-
2135	150	160	-

▶ T.C.T. Brazed Profile Cutter

YE-125



Note : Also available in 4 teeth
 Dia : 108mm
 Bore : 25.4mm
 Teeth : 3 Teeth

Machines : Moulder Machine
 Material : Solid Wood

YE-125			
CODE	Moulding Size(mm)	Cutter Thickness	Price
2136	32x18	35	3077
2137	40x18	45	3462
2138	50x18	55	4000
2139	60x25	65	4769



▶ T.C.T. Brazed Profile Cutter

YE-126



Note : Also available in 4 teeth
 Dia : 108mm
 Bore : 25.4mm
 Teeth : 3 Teeth

Machines : Moulder Machine
 Material : Solid Wood

YE-126			
CODE	Moulding Size(mm)	Cutter Thickness	Price
2140	32x18	35	3077
2141	40x18	45	3462
2142	50x18	55	4000
2143	60x25	65	4769



▶ T.C.T. Brazed Profile Cutter

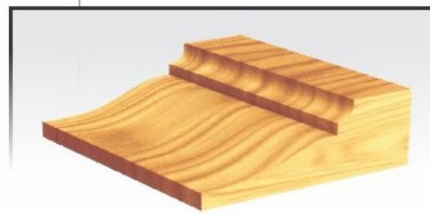
YE-127



Note : Also available in 4 teeth
 Dia : 108mm
 Bore : 25.4mm
 Teeth : 3 Teeth

Machines : Moulder Machine
 Material : Solid Wood

YE-127			
CODE	Moulding Size(mm)	Cutter Thickness	Price
2144	32x18	35	3077
2145	40x18	45	3462
2146	50x18	55	4000
2147	60x25	65	4769



▶ T.C.T. Brazed Profile Cutter

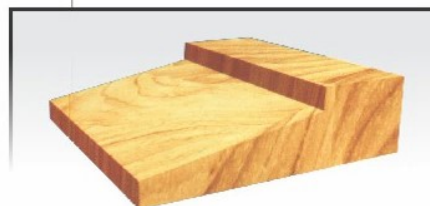
YE-128



Note : Also available in 4 teeth
 Dia : 108mm
 Bore : 25.4mm
 Teeth : 3 Teeth

Machines : Moulder Machine
 Material : Solid Wood

YE-128			
CODE	Moulding Size(mm)	Cutter Thickness	Price
2148	32x18	35	3077
2149	40x18	45	3462
2150	50x18	55	4000
2151	60x25	65	4769



▶ Double Fillet Cove Frame Cutter

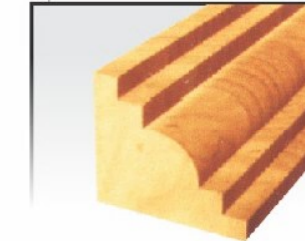
YE-129



Dia : 125mm
 Bore : 25.4mm
 Teeth : 3 Teeth

Machines : Moulder Machine
 Material : Solid Wood

YE-129			
CODE	Moulding Size(mm)	Cutter Thickness	Price
2001	15x15	12	846
2002	18x18	15	1077
2003	20x20	17	1385
2004	22x22	19	1462
2005	25x25	22	1692
2006	28x15	25	1808
2007	28x28	25	1808
2008	32x18	28	2231
2009	32x32	28	2231
2010	36x15	32	2615
2011	36x18	32	2615
2012	36x22	32	2615
2013	36x28	32	2615
2014	36x36	32	2615
2014-A	44x44	38	3385



▶ Double Fillet Cove Frame Cutter

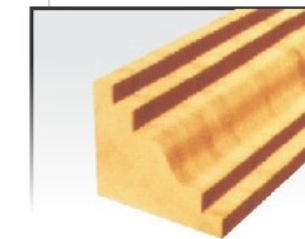
YE-130



Dia : 125mm
 Bore : 25.4mm
 Teeth : 3 Teeth

Machines : Moulder Machine
 Material : Solid Wood

YE-130			
CODE	Moulding Size(mm)	Cutter Thickness	Price
2015	15x15	12	846
2016	18x18	15	1077
2017	20x20	17	1385
2018	22x22	19	1462
2019	25x25	22	1692
2020	28x15	25	1808
2021	28x28	25	1808
2022	32x18	28	2231
2023	32x32	28	2231
2024	36x15	32	2615
2025	36x18	32	2615
2026	36x22	32	2615
2027	36x28	32	2615
2028	36x36	32	2615
2028-A	44x44	38	3385



► Multi-Form Frame Cutter

YE-131



Dia : 125mm
Bore : 25.4mm
Teeth : 3 Teeth

Machines : Moulder Machine
Material : Solid Wood

YE-131			
CODE	Moulding Size(mm)	Cutter Thickness	Price
2029	15x15	12	846
2030	18x18	15	1077
2031	20x20	17	1385
2032	22x22	19	1639
2033	25x25	22	1692
2034	28x28	25	1808
2036	32x18	28	2231
2037	32x32	28	2231
2038	36x15	32	2615
2039	36x18	32	2615
2040	36x22	32	2615
2041	36x28	32	2615
2042	36x36	32	2615
2042-A	44x44	38	3385

► Classical Ogee Frame Cutter

YE-134



Note : Also available in 4 teeth

Dia : 125mm
Bore : 25.4mm
Teeth : 3 Teeth

Machines : Moulder Machine
Material : Solid Wood

YE-134			
CODE	Moulding Size(mm)	Cutter Thickness	Price
2071	15x15	12	846
2072	18x18	15	1077
2073	20x20	17	1385
2074	22x22	19	1462
2075	25x25	22	1692
2076	28x15	25	1808
2077	28x28	25	1808
2078	32x18	28	2231
2079	32x32	28	2231
2080	36x15	32	2615
2081	36x18	32	2615
2082	36x22	32	2615
2083	36x28	32	2615
2084	36x36	32	2615
2084-A	44x44	38	3385

► Double Round Fillet Frame Cutter

YE-132



Dia : 125mm
Bore : 25.4mm
Teeth : 3 Teeth

Machines : Moulder Machine
Material : Solid Wood

YE-132			
CODE	Moulding Size(mm)	Cutter Thickness	Price
2043	15x15	12	846
2044	18x18	15	1077
2045	20x20	17	1385
2046	22x22	19	1462
2047	25x25	22	1692
2048	28x15	25	1808
2049	28x28	25	1808
2050	32x18	28	2231
2051	32x32	28	2231
2052	36x15	32	2615
2053	36x18	32	2615
2054	36x22	32	2615
2055	36x28	32	2615
2056	36x36	32	2615
2056-A	44x44	38	3385

► Classical Ogee Frame Cutter

YE-135



Note : Also available in 4 teeth

Dia : 125mm
Bore : 25.4mm
Teeth : 3 Teeth

Machines : Moulder Machine
Material : Solid Wood

YE-135			
CODE	Moulding Size(mm)	Cutter Thickness	Price
2085	15x15	12	846
2086	18x18	15	1077
2087	20x20	17	1385
2088	22x22	19	1462
2089	25x25	22	1692
2090	28x15	25	1808

► Ogee Fillet Frame Cutter

YE-133



Dia : 125mm
Bore : 25.4mm
Teeth : 3 Teeth

Machines : Moulder Machine
Material : Solid Wood

YE-133			
CODE	Moulding Size(mm)	Cutter Thickness	Price
2057	15x15	12	846
2058	18x18	15	1077
2059	20x20	17	1385
2060	22x22	19	1462
2061	25x25	22	1692
2062	28x15	25	1808
2063	28x28	25	1808
2064	32x18	28	2231
2065	32x32	28	2231
2066	36x15	32	2615
2067	36x18	32	2615
2068	36x22	32	2615
2069	36x28	32	2615
2070	36x36	32	2615
2070-A	44x44	38	3385

► Classical Ogee Frame Cutter

YE-136



Note : Also available in 4 teeth

Dia : 125mm
Bore : 25.4mm
Teeth : 3 Teeth

Machines : Moulder Machine
Material : Solid Wood

YE-136			
CODE	Moulding Size(mm)	Cutter Thickness	Price
2091	15x15	12	846
2092	18x18	15	1077
2093	20x20	17	1385
2094	22x22	19	1462
2095	25x25	22	1692
2096	28x15	25	1808
2097	28x28	25	1808
2098	32x18	28	2231

▶ Panel Raised Cutter

Bore : 25.4 mm
Teeth : 3 & 4

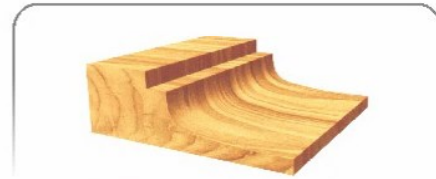
Machines : Table Saw & Spindle Moulder
Material : MDF, Solid Wood

YE-137

ROTATE | MAC | MAN



Panel raising works in solid wood require precise and powerful cutters. Yash Panel cutter easily cut across and with the grain in woods. Also works on MDF type boards. Useful in furniture, door panels, ceiling-works and panelling.



CODE	Moulding Size(mm)	Dia (mm)	Price 3 Teeth	Price 4 Teeth
3007-A	32x18	150	3846	4308
3007	40x18	175	4154	4846
3008	50 x18	175	4616	5231



CODE	Moulding Size(mm)	Dia (mm)	Price 3 Teeth	Price 4 Teeth
3001-A	32x18	150	3846	4308
3001	40x18	175	4154	4846
3002	50 x18	175	4616	5231



CODE	Moulding Size(mm)	Dia (mm)	Price 3 Teeth	Price 4 Teeth
3009-A	32x18	150	3846	4308
3009	40x18	175	4154	4846
3010	50 x18	175	4616	5231



CODE	Moulding Size(mm)	Dia (mm)	Price 3 Teeth	Price 4 Teeth
3003-A	32x18	150	3846	4308
3003	40x18	175	4154	4846
3004	50 x18	175	4616	5231



CODE	Moulding Size(mm)	Dia (mm)	Price 3 Teeth	Price 4 Teeth
3011-A	32x18	150	3846	4308
3011	40x18	175	4154	4846
3012	50 x18	175	4616	5231



CODE	Moulding Size(mm)	Dia (mm)	Price 3 Teeth	Price 4 Teeth
3005-A	32x18	150	3846	4308
3005	40x18	175	4154	4846
3006	50 x18	175	4616	5231



CODE	Moulding Size(mm)	Dia (mm)	Price 3 Teeth	Price 4 Teeth
3013-A	32x18	150	3846	4308
3013	40x18	175	4154	4846
3014	50 x18	175	4616	5231

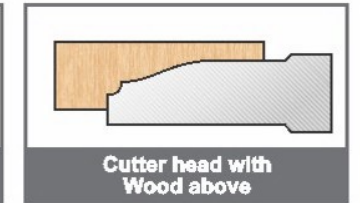
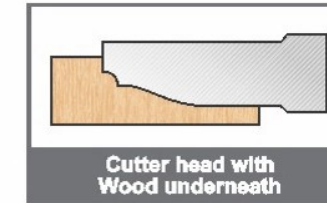
▶ Raised Panel Cutter

Bore : 25.4 mm
Teeth : 3 & 4

Machines : Table Saw & Spindle Moulder
Material : MDF, Solid Wood

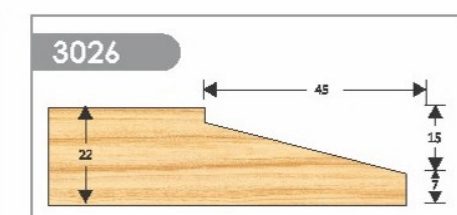
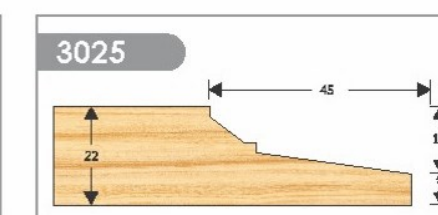
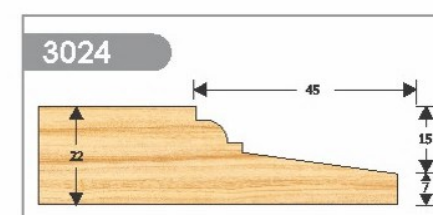
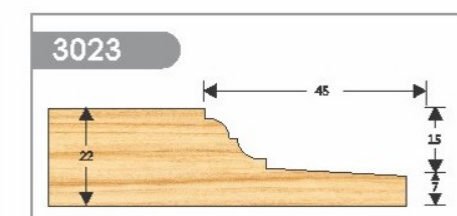
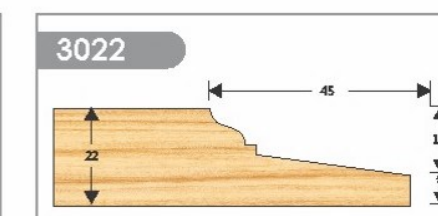
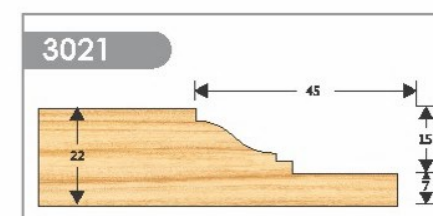
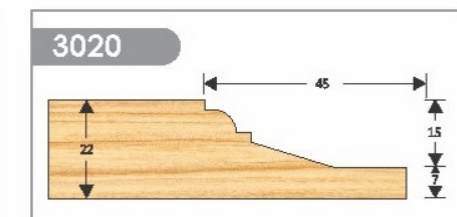
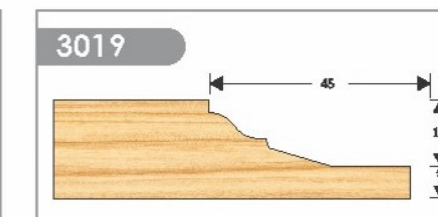
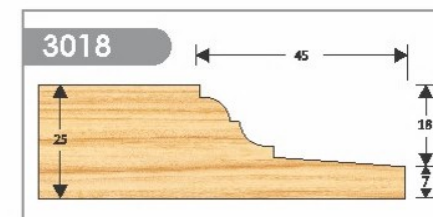
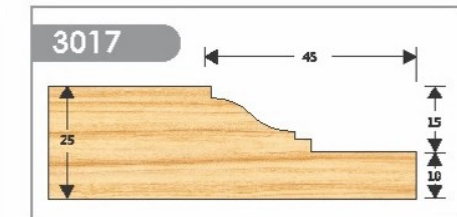
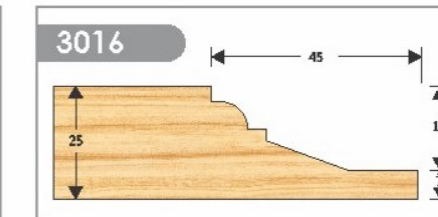
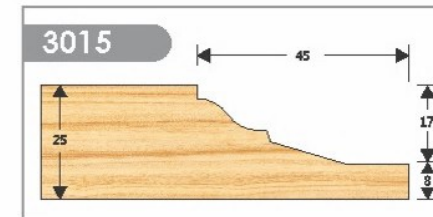
YE-138

ROTATE | MAC | MAN



These tools produce precise and clean work results, when panel raising in solid wood. To create furniture, door panels, cotted ceilings and panelling. It can cut across and with the grain in hard woods, also useful in resinous and MDF type boards. You can resharpen the blades easily and quickly. The carbide tips are German standards and of 5 mm thickness for longer life.

CODE	Wood Size	Dia (mm)	Bore (mm)	Teeth	Price
3015	45x25	150	1" & 1/4"	4T	3077
3016	45x25	150	1" & 1/4"	4T	3077
3017	45x25	150	1" & 1/4"	4T	3077
3018	45x25	150	1" & 1/4"	4T	3077
3019	45x22	150	1" & 1/4"	4T	3077
3020	45x22	150	1" & 1/4"	4T	3077
3021	45x22	150	1" & 1/4"	4T	3077
3022	45x22	150	1" & 1/4"	4T	3077
3023	45x22	150	1" & 1/4"	4T	3077
3024	45x22	150	1" & 1/4"	4T	3077
3025	45x22	150	1" & 1/4"	4T	3077
3026	45x22	150	1" & 1/4"	4T	3077

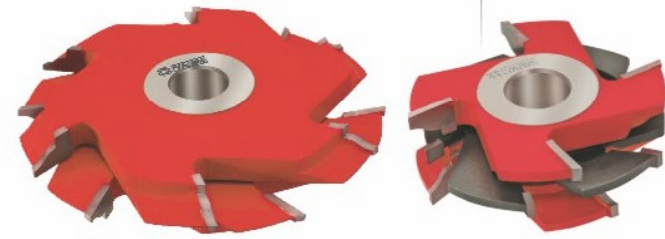


▶ Carbide Tipped Door Designing Cutters with Long Tenon (75mm)



YE-139

▶ For Door

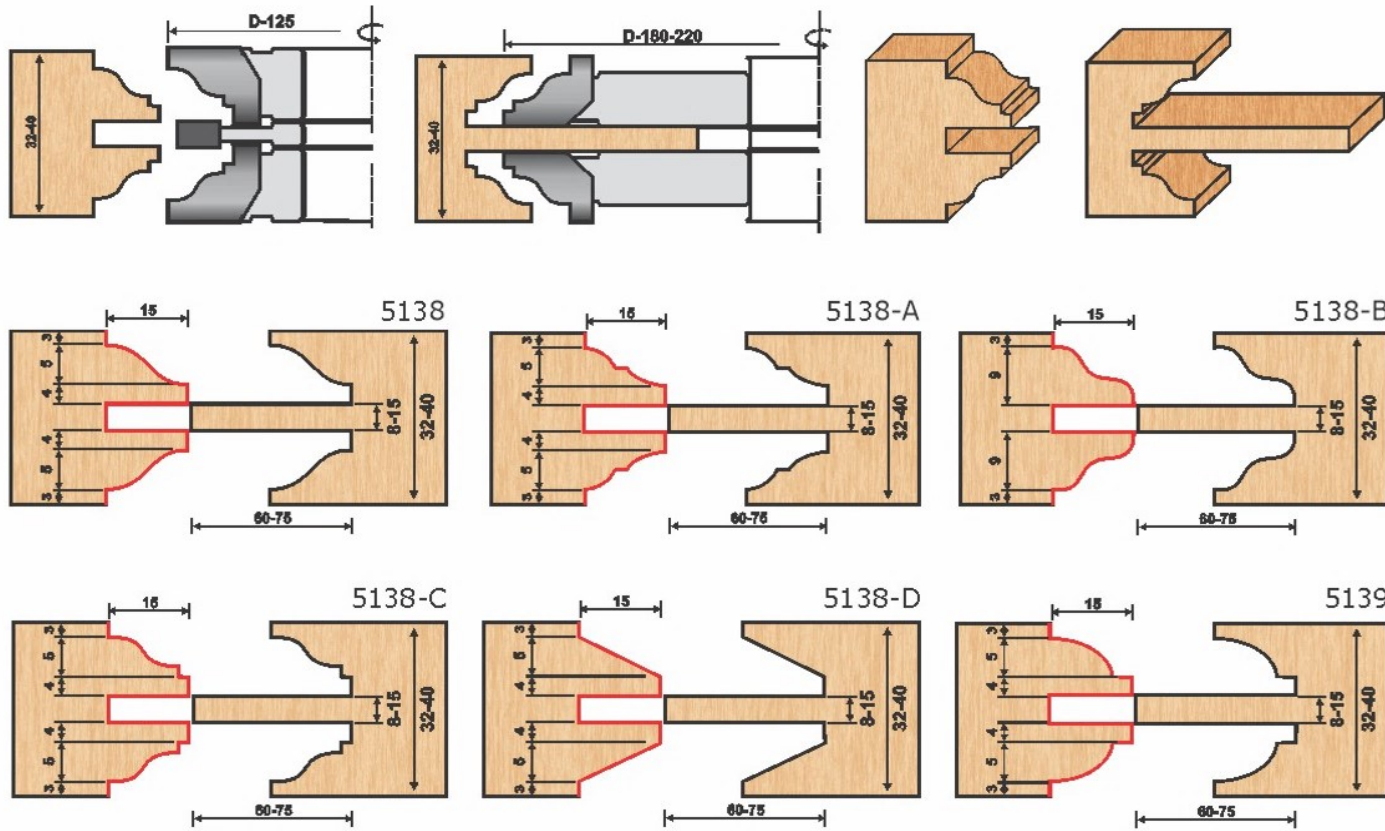


Machines : Spindle Moulder
Material : Solid Wood

Machines : Spindle Moulder
Material : Solid Wood
Bore : As Per Your Requirement

YE-139					
CODE	DIA	BORE	Z	THICK	Price
5138	125 / 200	30/31.75	4 / 6	32-40	21231
5138-A	125 / 200	30/31.75	4 / 6	32-40	21231
5138-B	125 / 200	30/31.75	4 / 6	32-40	21231
5138-C	125 / 200	30/31.75	4 / 6	32-40	21231
5138-D	125 / 200	30/31.75	4 / 6	32-40	21231
5139	125 / 200	30/31.75	4 / 6	32-40	21231

Also Available 40-50mm



▶ For Window

TO MAKE WINDOW FRAME
USE 2 EXTRA GROOVING CUTTER



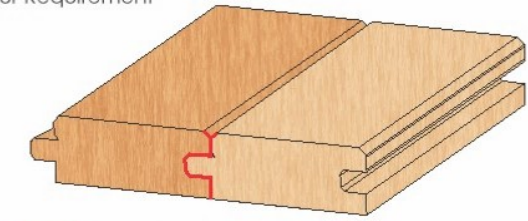
▶ Cutter Head-Set T & G(Brazed)



YE-140

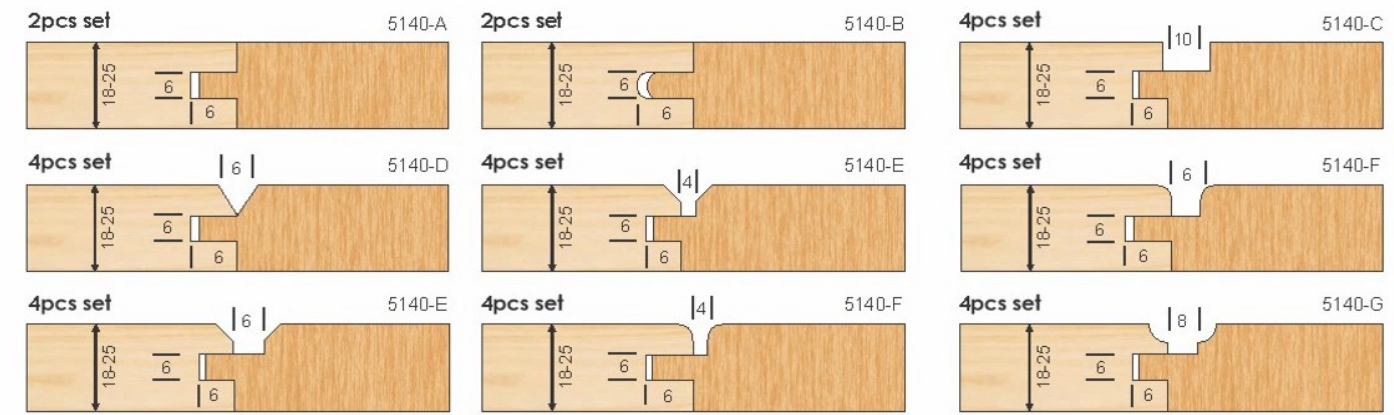


Machines : Spindle Moulder
Material : Solid Wood
Bore : As Per Your Requirement



YE-140 2 Pcs					
CODE	DIA	BORE	Z	THICK	Price
5140-2	125	30/31.75	3	18-25	7415

YE-140 4 Pcs					
CODE	DIA	BORE	Z	THICK	Price
5140-4	125	30/31.75	3	18-25	7415



▶ Cutter Head-Set for Flooring(Brazed)

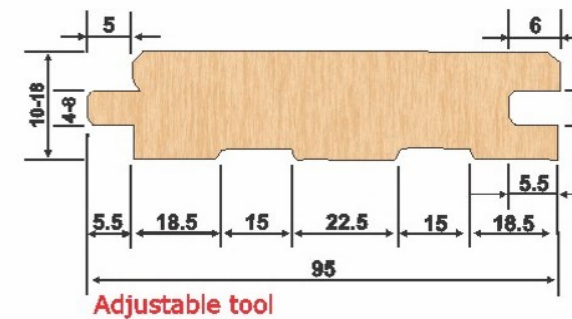
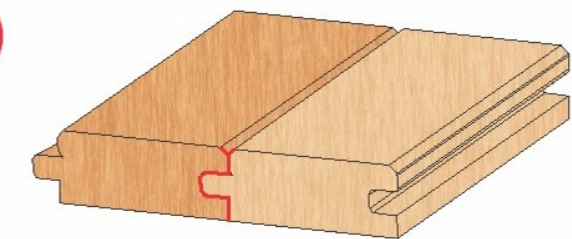


YE-141

ADJUSTABLE



Machines : Spindle Moulder & 4 Side Moulder
Material : Solid Wood
Bore : As Per Your Requirement



YE-141						
CODE	DIA	BORE	Z	THICK	TYPE	Price
5141	150	30 / 40	3 + 3	10-18	Adj.	17692
5142	150	30 / 40	3	10-18	Fix	13308

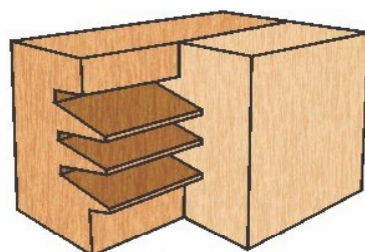
▶ Glue Joint Cutter-Head (Braze)



Machines : Spindle Moulder
Material : Solid Wood

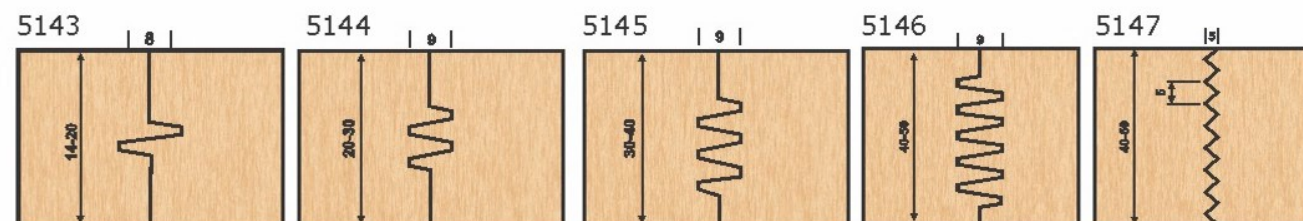
YE-142

FIX



use for wood jointing on edges.

YE-142						
CODE	DIA	BORE	Z	WOOD THICK	Price	
5143	125	30/31.75	3	14-20	4616	
5144	125	30/31.75	3	20-30	5400	
5145	125	30/31.75	3	30-40	5939	
5146	125	30/31.75	3	40-50	7200	
5147	125	30/31.75	3	40-50	7200	



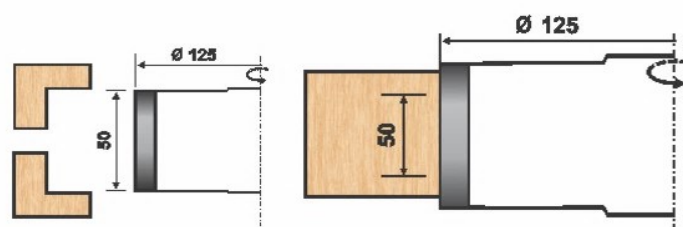
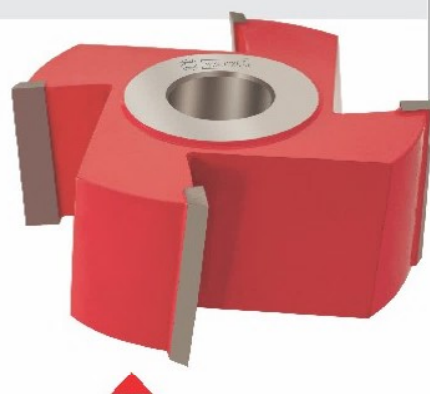
▶ Planing Cutter T.C.T. with Helix Shear (Braze)



Machines : Spindle Moulder
Material : Solid Wood

YE-143

Planing cutter w/o Helix shear also available :



YE-143						
CODE	DIA	BORE	Z	THICK	Price	
5148	125	30 / 31.75	3	50	5385	
5149	125	30 / 31.75	3	75	8000	
5150	125	30 / 31.75	3	100	10769	

The plane or groove blade head features 4 resharpenable brazed cutters. These main cutters reduce chipping and lower the kick-back. These cutters are used for planing and rebating in solid wood

▶ Tongue & Groove Cutters - In One Piece (Braze)



Machines : Spindle Moulder
Material : Solid Wood

YE-144



YE-144					
CODE	DIA	BORE	Z	THICK	Price
5151	125	30/31.75	3	16-38	5846



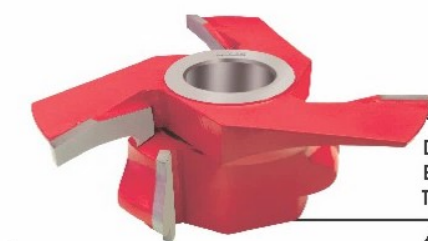
▶ Cutter Head for Railing YE-145

For Moulder Machine

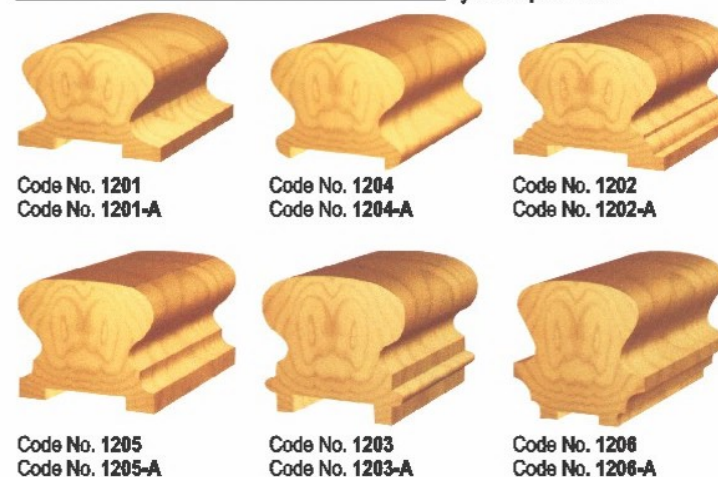


This Radius Cutter is not including in Railing Cutter also available as per your requirement.

For Spindle Moulder Machine

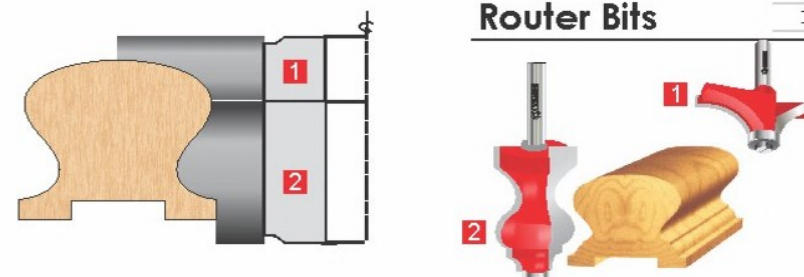


Dia : 140mm
Bore : 25.4/30/31.75mm
Teeth : 3Teeth
Also Available 4 Teeth



YE-145					
CODE	Moulding Size(mm)	ROUTER Price	Moulder/ Spindle Price	Top Cutter Price	
1201	70 x 45	3846	5385	6846	
1201-A	70 x 60	4462	6385	6846	
1201-B	90 x 70	5077	7231	7693	
1202	70 x45	3846	5385	6846	
1202-A	70 x60	4462	6385	6846	
1202-B	90 x 70	5077	7231	7693	
1203	70 x45	3846	5385	6846	
1203-A	70 x60	4462	6385	6846	
1203-B	90 x 70	5077	7231	7693	
1204	70 x45	3846	5385	6846	
1204-A	70 x60	4462	6385	6846	
1204-B	90 x 70	5077	7231	7693	
1205	70 x45	3846	5385	6846	
1205-A	70 x 60	4462	6385	6846	
1205-B	90 x 70	5077	7231	7693	
1206	70 x45	3846	5385	6846	
1206-A	70 x 60	4462	6385	6846	
1206-B	90 x 70	5077	7231	7693	

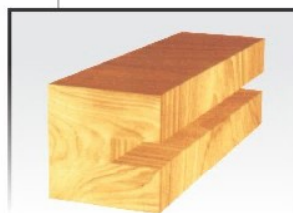
Router Bits



▶ CARBIDE Tipped Grooving Cutters

Machines : Spindle Moulder
Material : Solid Wood

YE-146



Dia : 150mm
Bore : 25.4mm
Teeth : 6 Teeth

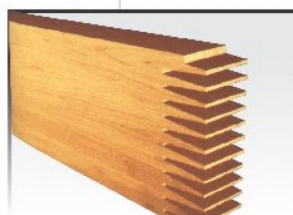
YE-146						
CODE	Dia (mm)	Bore (mm)	Thickness (mm)	Teeth (mm)	Price	
601	150mm	1"	3mm	6T	385	
602	150mm	1"	4mm	6T	385	
603	150mm	1"	5mm	6T	408	
604	150mm	1"	6mm	6T	415	
605	150mm	1"	8mm	6T	469	
606	150mm	1"	9mm	6T	492	
607	150mm	1"	10mm	6T	508	
608	150mm	1"	12mm	6T	538	
609	150mm	1"	15mm	6T	923	
610	150mm	1"	19mm	6T	1169	
610A	150mm	1"	22mm	6T	1385	
611	150mm	1"	25mm	6T	1477	
612	150mm	1"	32mm	6T	1939	
612A	150mm	1"	35mm	6T	2446	
613	150mm	1"	38mm	6T	2692	
614	200mm	1"	4mm	8T	738	
615	200mm	1"	5mm	8T	769	
616	200mm	1"	6mm	8T	815	
617	200mm	1"	8mm	8T	877	
618	200mm	1"	9mm	8T	923	
619	200mm	1"	10mm	8T	1015	
620	200mm	1"	12mm	8T	1062	
621	200mm	1"	15mm	8T	1939	
622	200mm	1"	19mm	8T	2400	
623	200mm	1"	25mm	8T	3415	
624	200mm	1"	32mm	8T	3877	
624A	200mm	1"	35mm	8T	4246	
625	200mm	1"	38mm	8T	4708	

6" straight top-teeth cutter for cutting on periphery of wood sides. It gives clean grooves without any tear-outs. Gives excellent results in joint biscuits application for windows, picture frame and kitchen shutters in solid wood, plywood, block board and chip board.

▶ CARBIDE Tipped Finger Shaping Cutters

Machines : Finger Joint Machine
Material : Solid Wood

YE-147



Finger jointing has become a major industry. This special cutter requires high standard material and precision technology to attain finest fingers that fits perfectly. Yash is the answer.

YE-147						
CODE	Pitch Size (mm)	Cutting Length (mm)	Dia (mm)	Bore (mm)	Teeth	Price
FJ-1	5mm	15mm	125	31.75/40	4	923
FJ-2	7mm	25mm	125	31.75/40	4	923
FJ-3	10mm	25mm	125	31.75/40	4	1231

12Pcs=1Set
Per Pcs Rate

▶ Solder Cutter

Machines : Spindle Moulder
Material : Solid Wood

YE-148

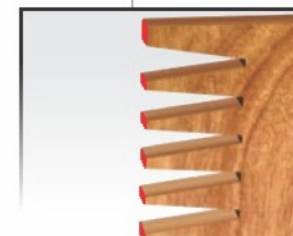


YE-148						
CODE	Thick (mm)	Cutting length	Dia (mm)	Bore (mm)	Teeth	Price
5152	4	11	125	31.75/40	4T	2308
5153	5	13	125	31.75/40	4T	2308
5154	7	22	125	31.75/40	4T	2308
5155	4	13	160	50	2T	2769

▶ Facing Cutter

Machines : Finger Joint Machine
Material : Solid Wood

YE-149

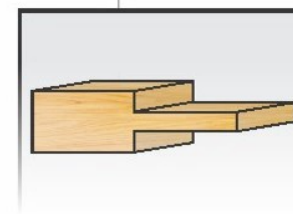


YE-149						
CODE	Dia (mm)	Bore (mm)	Carbide Thickness	Body Thick	Teeth	Price
5156	5"	25.4	18	38	4	2654
5157	5"	25.4	18	38	6	3385
5158	6 1/2"	25.4	18	38	6	4308
5159	6"	25.4	18	38	4	2923
5160	6"	25.4	18	38	6	3385
5161	6"	25.4	18	38	12	6154
5162	7"	25.4	18	38	6	4000
5163	7"	25.4	18	38	12	7077
5164	8"	25.4	18	38	12	7693

▶ Tenoning Cutter Set

Machines : Finger Joint Machine
Material : Solid Wood

YE-148-A



YE-148-A						
CODE	Dia (mm)	Bore (mm)	Carbide Thickness	Body Thick	Teeth	Price
5165	150	1"	25	3	6x3	7539
5166	200	1"	25	3	6x3	10000

► Inside Molem Cutter

Machines : Spindle Moulder
Material : Solid Wood

YE-149-A



Note : Also available in 4 teeth

Dia : 125mm
Bore : 25.4mm
Teeth : 3 Teeth

YE-149-A

CODE	Dia (mm)	Bore (mm)	Thickness (mm)	Teeth	Price	Min Qty.
851	125	1"	8	3T	423	10Pcs Box
854	125	1"	10	3T	538	10Pcs Box
857	125	1"	12	3T	585	10Pcs Box
860	125	1"	15	3T	738	10Pcs Box
863	125	1"	19	3T	969	5Pcs Box
865	125	1"	22	3T	1292	
866	125	1"	25	3T	1385	
867	125	1"	27	3T	1477	
868	125	1"	32	3T	1708	
869	125	1"	35	3T	2031	
869A	125	1"	38	3T	2400	

► Outside Molem Cutter

Machines : Spindle Moulder
Material : Solid Wood

YE-150



Note : Also available in 4 teeth

Dia : 125mm
Bore : 25.4mm
Teeth : 3 Teeth

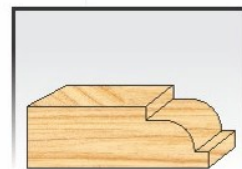
YE-150

CODE	Dia (mm)	Bore (mm)	Thickness (mm)	Teeth	Price	Min Qty.
870	125mm	1"	10mm	3T	700	10 Pcs Box
873	125mm	1"	12mm	3T	846	10 Pcs Box
876	125mm	1"	15mm	3T	1062	10 Pcs Box
879	125mm	1"	19mm	3T	1292	5 Pcs Box
879A	125mm	1"	22mm	3T	1600	
879B	125mm	1"	25mm	3T	1939	

► Molem Cutter (for window frame)

Machines : Spindle Moulder
Material : Solid Wood

YE-151

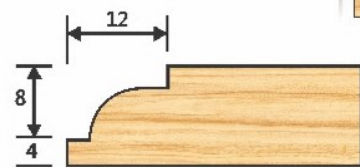


Note : Also available in 4 teeth

Dia : 125mm
Bore : 25.4mm
Teeth : 3 Teeth

YE-151

CODE	Wood Size	Dia (mm)	Bore (mm)	Teeth	Price
880	8x12	110	1 1/4"	3T	1077
881	8x12	110	1 1/4"	4T	1385



► One Teeth Multi Profile Cutter

Use For : Through Cutting
on Acrylic, Plastic & ACP Sheet

YE-152



Common size for all cutters
Dia : 120mm
Bore : 25.4mm
Teeth : 3 Teeth

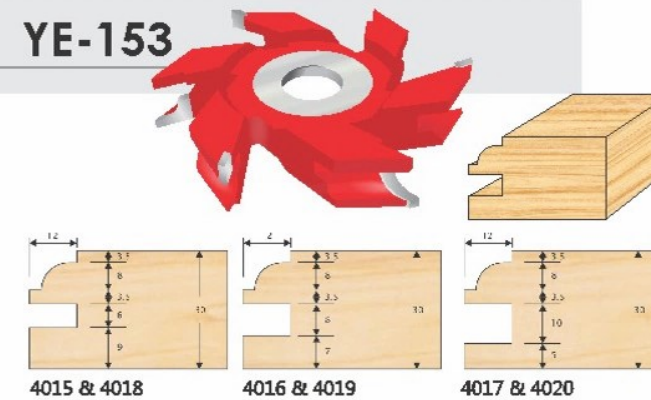
CODE	Moulding Size(mm)	Price	CODE	Moulding Size(mm)	Price	CODE	Moulding Size(mm)	Price	CODE	Moulding Size(mm)	Price
501	25x25	654	502	20x20	654	504	19x19	654	505	28x28	654
508	19x19	654	503	28x28	654	507	22x22	654	506	22x22	654
516	32x32	846	512	18x18	654	509	28x28	654	511	18x18	654
517	38x38	846	518	35x35	846				519	35x35	846

CODE	Moulding Size(mm)	Price	CODE	Moulding Size(mm)	Price	CODE	Moulding Size(mm)	Price	CODE	Moulding Size(mm)	Price
510	32x32	654	513	22x22	654	514	28x28	654	515	25x25	654
						520	38x38	846			

► Grooving Cum Molem

► Rebating Cum Molem

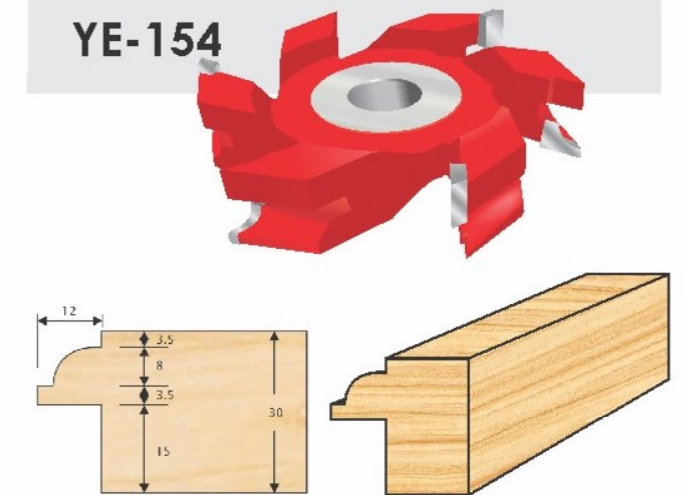
YE-153



YE-153

CODE	Wood Size	Dia (mm)	Bore (mm)	Teeth	Price
4015	25to32	125	30 / 31.75	3+3	1462
4016	25to32	125	30 / 31.75	3+3	1462
4017	25to32	125	30 / 31.75	3+3	1462
4018	25to32	150	30 / 31.75	3+3	1615
4019	25to32	150	30 / 31.75	3+3	1615
4020	25to32	150	30 / 31.75	3+3	1615

YE-154



YE-154

CODE	Wood Size	Dia (mm)	Bore (mm)	Teeth	Price
4021	22to25	125	30 / 31.75	3+3	1846
4022	22to25	150	30 / 31.75	3+3	1939

▶ Door Frame Cutter 45°

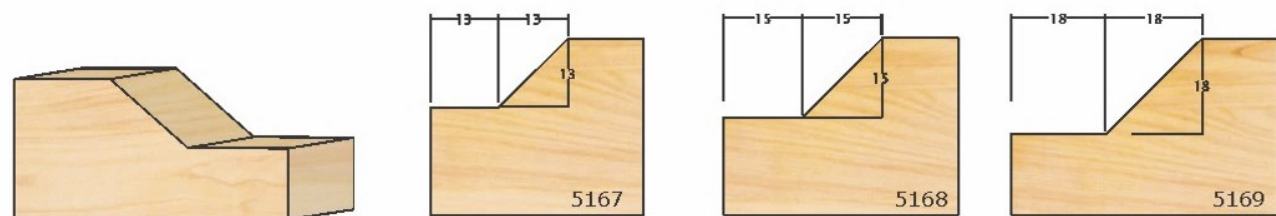
YE-155



Dia : 125mm
Bore : 25.4mm
Teeth : 3 Teeth

Machines : Spindle Moulder
Material : Solid Wood

YE-155						
CODE	A (mm)	B (mm)	C (mm)	Cutter Thickness	Teeth	Price
5167	13	13	13	26	3	1939
5168	15	15	15	30	3	2585
5169	18	18	18	36	3	3415



▶ "V" Groove Cutter

YE-157



Machines : Spindle Moulder
Material : Solid Wood

YE-157 "V" Groove Cutter 75mm Dia

CODE	Dia (mm)	Bore (mm)	Thickness (mm)	Teeth	Price
1221-v	75mm	20mm	4mm	6T	308
1225-v	75mm	20mm	6mm	6T	323
1229-v	75mm	20mm	8mm	6T	338
1233-v	75mm	20mm	10mm	6T	354
1237-v	75mm	20mm	12mm	6T	369

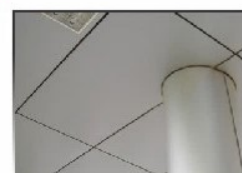
YE-157 "V" Groove Cutter 90° Degree Pointed

CODE	Dia (mm)	Bore (mm)	Thickness (mm)	Teeth	Price
1225-P	100mm	20mm	6mm	6T	406
1229-P	100mm	20mm	8mm	6T	425
1233-P	100mm	20mm	10mm	6T	490
1223-P	100mm	20mm	12mm	6T	508



▶ CARBIDE Tipped "V" Profile Cutters for ACP Bending

YE-156



For aluminium composite panel bending works

Machines : Spindle Moulder
Material : Solid Wood

YE-156						
CODE	Dia (mm)	Bore (mm)	Thickness (mm)	Teeth	Price	Min Qty.
1221	100mm	20mm	4mm	6T	385	10 PCS.Box
1222	100mm	20mm	4mm	8T	692	
1223	100mm	20mm	4mm	10T	846	
1224	100mm	20mm	4mm	12T	1000	
1225	100mm	20mm	6mm	6T	423	10 PCS.Box
1226	100mm	20mm	6mm	8T	692	
1227	100mm	20mm	6mm	10T	846	
1228	100mm	20mm	6mm	12T	1000	
1229	100mm	20mm	8mm	6T	462	10 PCS.Box
1230	100mm	20mm	8mm	8T	692	
1231	100mm	20mm	8mm	10T	846	
1232	100mm	20mm	8mm	12T	1000	
1233	100mm	20mm	10mm	6T	508	10 PCS.Box
1234	100mm	20mm	10mm	8T	692	
1235	100mm	20mm	10mm	10T	846	
1236	100mm	20mm	10mm	12T	1000	
1237	100mm	20mm	12mm	6T	554	10 PCS.Box
1238	100mm	20mm	12mm	8T	723	
1239	100mm	20mm	12mm	10T	846	
1240	100mm	20mm	12mm	12T	1000	

▶ "U" Groove Cutter

YE-158



Machines : Spindle Moulder
Material : Solid Wood

YE-158					
CODE	Dia (mm)	Bore (mm)	Thickness (mm)	Teeth	Price
1221-U	100mm	20mm	4mm	6T	569
1225-U	100mm	20mm	6mm	6T	646
1229-U	100mm	20mm	8mm	6T	700
1233-U	100mm	20mm	10mm	6T	769
12237-U	100mm	20mm	12mm	6T	831

▶ Grooving Cutter (Use for Cm4 Machine)

YE-159



Machines : Spindle Moulder
Material : Solid Wood

YE-159					
CODE	Dia (mm)	Bore (mm)	Thickness (mm)	Teeth	Price
5170	100mm	20	3	6	362
5171	100mm	20	4	6	362
5172	100mm	20	5	6	377
5173	100mm	20	6	6	377
5174	100mm	20	8	6	408
5175	100mm	20	9	6	423
5176	100mm	20	10	6	446
5177	100mm	20	12	6	492

▶ V-Shapped Cutter

YE-160



Dia : 125mm
Bore : 25.4mm
Teeth : 4 Teeth

Machines : Spindle Moulder
Material : Solid Wood

YE-160

CODE	Thickness	Degree	Price
760	6mm	90°	846
761	8mm	90°	969
762	10mm	90°	1077
763	12mm	90°	1169
764	15mm	90°	1308
765	19mm	90°	1692
766	25mm	90°	2123

▶ Champhering Cutter

YE-161



Note : Also available in 4 teeth

Dia : 125mm
Bore : 25.4mm
Teeth : 4 Teeth

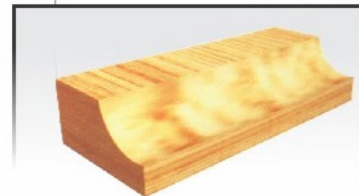
Machines : Spindle Moulder
Material : Solid Wood

YE-161

CODE	Thickness	Degree	Price
767	8mm	45°	846
768	10mm	45°	969
769	12mm	45°	1077
770	15mm	45°	1308
771	19mm	45°	1615
772	25mm	45°	2000
773	32mm	45°	2692
773-A	40mm	45°	****
773-B	45mm	45°	****
773-C	50mm	45°	****

▶ Half Radius Cutter

YE-162



Note : Also available in 4 teeth

Dia : 125mm
Bore : 25.4mm
Teeth : 4 Teeth

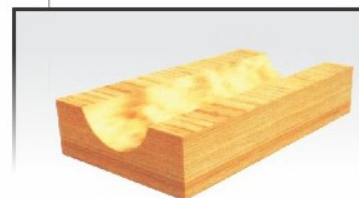
Machines : Spindle Moulder
Material : Solid Wood

YE-162

CODE	Thickness	Radius	Price
774	10mm	10R	1077
775	12mm	12R	1169
776	15mm	15R	1385
777	19mm	19R	1923
778	25mm	25R	2539
779	32mm	32R	3185

▶ T.C.T. Brazed Profile Cutter (Full Radius Cutter)

YE-163



Note : Also available in 4 teeth

Dia : 125mm
Bore : 25.4mm
Teeth : 4 Teeth

Machines : Spindle Moulder
Material : Solid Wood

YE-163

CODE	Thickness	Radius	Price
780	6mm	3R	846
781	8mm	4R	962
782	10mm	5R	1077
783	12mm	6R	1169
784	15mm	7.5R	1477
785	19mm	9.5R	1692
786	25mm	12.5R	2231

▶ CARBIDE Tipped Planner Knives

YE-164



YE-164

CODE	Length	Width (mm)	Thick (mm)	Price
959	9"	30	3	1246
960	10"	30	3	1385
961	12"	30	3	1662
962	13"	30	3	1800
962-A	15"	30	3	2077
962-B	16"	30	3	2215
963	18"	30	3	2492
963-A	20"	30	3	2769
964	24"	30	3	3323
967	10"	30	5	1539
968	12"	30	5	1846
969	13"	30	5	2000

Machines : Surface Planner, Thickness Planner
Material : Solid Wood

CODE	Size	Price
969-A	50x30x3mm	308
969-B	75x30x3mm	508
969-C	100x30x3mm	677
969-D	125x30x3mm	846
969-E	130x30x3mm	923
969-F	150x30x3mm	1015
969-G	200x30x3mm	1231

▶ Solid Carbide Planner Knife

YE-165



YE-165

CODE	Length	Width (mm)	Thick (mm)	Price
951	9"	22	2.2	-
952	10"	22	2.2	-
953	12"	22	2.2	-
954	13"	22	2.2	-
954-A	18"	22	2.2	-

▶ Carbide Tip Planner Knife

YE-166

Machines : Electric Planner Machine
Material : Solid Wood

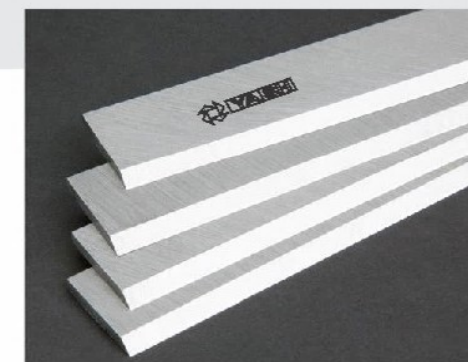


YE-166

CODE	Length	Width (mm)	Thick (mm)	Use in	Price
976	82	30	3	Hitachi-F20Am/c	423
976-A	82	30	3	Makita 1900B m/c	423
976-AA	82	30	3	Hitachi & Makita	423

▶ HSS Planner Knife

YE-167



YE-167

CODE	Length	Width (mm)	Thick (mm)	Price
5178	9"	30	2.2	****
5179	10"	30	2.2	****
5180	12"	30	2.2	****
5181	13"	30	2.2	****
5182	18"	30	2.2	****
5183	24"	30	2.2	****
5184	9"	30	3	415
5185	10"	30	3	462
5186	12"	30	3	554
5187	13"	30	3	600
5188	15"	30	3	692
5189	16"	30	3	738
5190	18"	30	3	831
5191	20"	30	3	923
5192	24"	30	3	1108

Machines : Surface Planner, Thickness Planner
Material : Solid Wood

▶ TCT Hand Planer Knife

YE-168



Machines : Spindle Moulder
Material : Solid Wood

YE-168

CODE	Width	Thickness (mm)	Price	Min Qty.
970	1 1/2"	2mm	131	10 Pcs Box
971	1 3/4"	2mm	138	10 Pcs Box
972	2"	2mm	146	15 Pcs Box
973	2 1/2"	2mm	246	19 Pcs Box
974	35mm	2mm	131	10 Pcs Box
975	42mm	2mm	138	10 Pcs Box

▶ Chain Set YE-169



Machines : Chain Motorized Machine
Material : Hard Wood, Soft Wood

■ TCT Chain Set(for Chain Mortising M/C)

CODE	Chain Thickness	with	Price
TCT-977	1/4"	Guide Bar & Gear	12308
TCT-978	5/16"	Guide Bar & Gear	12308
TCT-979	3/8"	Guide Bar & Gear	12308
TCT-980	7/16"	Guide Bar & Gear	12308
TCT-980-A	1/2"	Guide Bar & Gear	12308
TCT-980-B	5/8"	Guide Bar & Gear	14616
TCT-980-C	3/4"	Guide Bar & Gear	16154
TCT-980-D	1"	Guide Bar & Gear	23078
TCT-980-E	1 1/4"	Guide Bar & Gear	32308

■ HCS Chain Set(for Chain Mortising M/C)

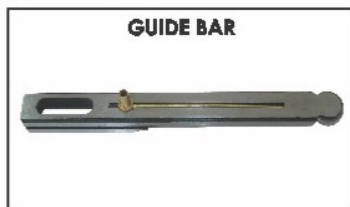
CODE	Chain Thickness	with	Price
977	1/4"	Guide Bar & Gear	4923
978	5/16"	Guide Bar & Gear	4923
979	3/8"	Guide Bar & Gear	4308
980	7/16"	Guide Bar & Gear	4308
980-A	1/2"	Guide Bar & Gear	4308
980-B	5/8"	Guide Bar & Gear	5385
980-C	3/4"	Guide Bar & Gear	6923
980-D	1"	Guide Bar & Gear	7846
980-E	1 1/4"	Guide Bar & Gear	9231



■ H.S.S Motorized Chain

CODE	Chain Thick	With Accessary
YT27A-101	1/4"	Guide Bar & Gear
YT27A-102	5/16"	Guide Bar & Gear
YT27A-103	3/8"	Guide Bar & Gear
YT27A-104	7/16"	Guide Bar & Gear
YT27A-105	1/2"	Guide Bar & Gear
YT27A-106	5/8"	Guide Bar & Gear
YT27A-107	3/4"	Guide Bar & Gear
YT27A-108	1"	Guide Bar & Gear
YT27A-109	1.1/4"	Guide Bar & Gear

(Extra Accessories)



MADE IN GERMANY
LIFE TIME GUARANTEE



▶ Chisel Bits (with augar)

YE-170

Use For : Through Cutting on Acrylic, Plastic & ACP Sheet

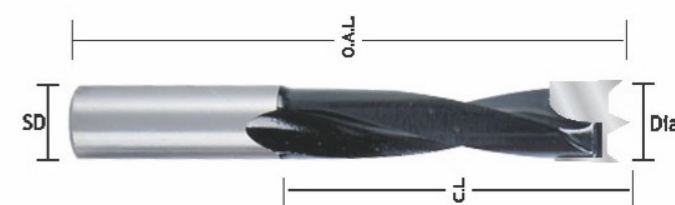


YE-169

CODE	Dia Size(mm)	Over all Length	Price
981	1/4"	210	1000
982	3/8"	210	1000
983	5/16"	210	1000
984	7/16"	210	1077
985	1/2"	210	1077
986	5/8"	210	1539
987	3/4"	210	2000
988	1"	210	2769

▶ T.C.T. Drill Bit (Boring Bit)

YE-172

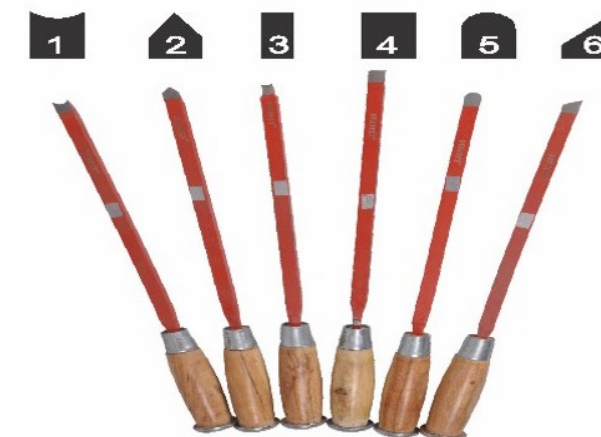


YE-172

CODE	Dia (mm)	C.L. (mm)	OAL (mm)	Shank (mm)	Price
5193	10	100	150	9	923
5194	12	100	150	10	1000
5195	13	100	150	12	1038
5196	14	100	150	12	1077
5197	15	100	150	12	1154
5198	16	100	150	12	1154
5199	17	100	150	12	1231
5200	18	100	150	12	1269
5201	19	100	150	12	1346
5202	20	100	150	12	1500

▶ Wood Turning Lath T.C.T Hand Tools

YE-173



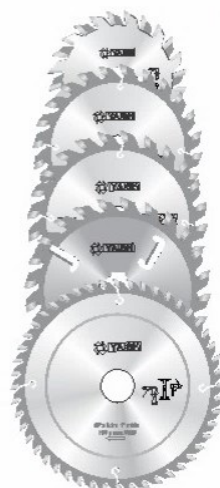
6PCS= 1Set
5203=SMALL
1/2" Square=692 per pcs.

6PCS= 1Set
5204=Big
3/4" Square=846 per pcs.

▶ SOLID WOOD & PLYWOOD CUTTING SAW BLADES

YE-174

Best quality Circular saws, to suit almost all type of wood-cutting. Cuts Hardwood, Softwood, Plywood, Chip-board or picture frame. It can be used on portable machines or table saws. Works for tipping and cross-cutting as well.



YE-174					
CODE	Dai	Thickness	Bore	Teeth	Price
41830	4"	1.8	20	30	354
41840	4"	1.8	20	40	446
51830	5"	1.8	20	30	354
51840	5"	1.8	20	40	446
61840	6"	1.8	1"	40	946
62240	6"	2.2	1"	40	1093
61860	6"	1.8	1"	60	1293
62260	6"	2.2	1"	60	1493
71540	7"	1.5	1"	40	1194
71740	7"	1.7	1"	40	1093
72240	7"	2.2	1"	40	1093
72540	7"	2.5	1"	40	1393
71748	7"	1.7	1"	48	1293
72248	7"	2.2	1"	48	1293
72548	7"	2.5	1"	48	1454
71760	7"	1.7	1"	60	1493
72260	7"	2.2	1"	60	1493
81540	8"	1.5	1"	40	1292
81740	8"	1.7	1"	40	1193
82240	8"	2.2	1"	40	1293
82540	8"	2.5	1"	40	1493
83240	8"	3.2	1"	40	1593
81548	8"	1.5	1"	48	1493
81748	8"	1.7	1"	48	1393
82248	8"	2.2	1"	48	1393
82548	8"	2.5	1"	48	1593
83248	8"	3.2	1"	48	1792
81760	8"	1.7	1"	60	1593
82260	8"	2.2	1"	60	1692
82560	8"	2.5	1"	60	1846
83260	8"	3.2	1"	60	2092
83232	8"	3.2	1"	32	1593
83236	8"	3.2	1"	36	1692
91740	9"	1.7	1"	40	1493
92540	9"	2.5	1"	40	1692

YE-174					
CODE	Dai	Thickness	Bore	Teeth	Price
93240	9"	3.2	1"	40	1792
101840	10"	1.8	1"	40	1646
102240	10"	2.2	1"	40	1646
102540	10"	2.5	1"	40	1692
102840	10"	2.8	1"	40	1792
103240	10"	3.2	1"	40	1792
101748	10"	1.7	1"	48	1792
102248	10"	2.2	1"	48	1792
102548	10"	2.5	1"	48	1892
102548	10"	2.8	1"	48	1992
103248	10"	3.2	1"	48	1992
101860	10"	1.8	1"	60	2092
102260	10"	2.2	1"	60	2192
102560	10"	2.5	1"	60	2292
102860	10"	2.8	1"	60	2392
103260	10"	3.2	1"	60	2492
103232	10"	3.2	1"	32	1692
103236	10"	3.2	1"	36	1792
103280	10"	3.2	1"	80	3585
112548	11"	2.5	1"	48	2392
113248	11"	3.2	1"	48	2392
122240	12"	2.2	1"	40	2092
122540	12"	2.5	1"	40	2092
122840	12"	2.8	1"	40	2092
123240	12"	3.2	1"	40	2192
122548	12"	2.5	1"	48	2192
122848	12"	2.8	1"	48	2192
123248	12"	3.2	1"	48	2192
123228	12"	3.2	1"	28	1892
123232	12"	3.2	1"	32	1992
123236	12"	3.2	1"	36	2092
122560	12"	2.5	1"	60	2492
122860	12"	2.8	1"	60	2492
123260	12"	3.2	1"	60	2685

▶ ALUMINIUM SECTION-GAS (CUT OFF M/C)

YE-176



YE-176					
CODE	Dia	Thickness	Bore	Teeth	Price
4240	4"	2mm	20	40	700
5240	5"	2	20	40	793
6260	6"	2	1"	60	1393
72260	7"	2.2	1"	60	1493
82240	8"	2.2	1"	40	1493
82560	8"	2.5	1"	60	1692
10380	10"	3	1"	80	2489
103100	10"	3	1"	100	2684
103120	10"	3	1"	120	2985
123100	12"	3	1"	100	3284
123120	12"	3	1"	120	3684
143100	14"	3	1"	100	3384
143120	14"	3	1"	120	3884

▶ CIRCULAR SAW BLADE (KIWI)

for Cutting Bi Laminated Panels on Panel Saw using Scoring Blade

YE-177



YE-177					
CODE	Dia	Thickness	Bore	Teeth	Price
5260	300	3.2/2.2	30	96	3846
5261	120	2.8/3.6	20/22	12+12	2307
5262	120	2.8/4.0	20/22	24	2307

▶ MS Body Blade Holder

Machines : Moulder Machine
Material : Solid wood, Particle Board, Hard Wood

▶ CARBIDE Tipped Thin Kerf Saw Blades for Margin Patti

YE-175



YE-175					
CODE	Dai	Thickness	Bore	Teeth	Price
5244	182mm	1mm	1"	60	1769
5245	205mm	1.2mm	1"	40	1769
5246	205mm	1.5mm	1"	40	1769
5247	205mm	1.7mm	1"	40	1769
5248	255mm	1.5mm	1"	40	2077
5249	255mm	1.7mm	1"	48	2077
5250	255mm	2mm	1"	48	2077
5251	305mm	2mm	1"	48	3538
5252	305mm	2.2mm	1"	48	3538
5253	305mm	2.5mm	1"	48	3538

YE-178



YE-178					YE-178				
CODE	Dia	Bore (mm)	Thickness	Price	CODE	Dia	Bore (mm)	Thickness	Price
5263	4"	25.4	3/4"	615	5276	5"	25.4	3/4"	923
5264	4"	25.4	1"	692	5277	5"	25.4	1"	923
5265	4"	25.4	1 1/4"	862	5278	5"	25.4	1 1/4"	1154
5266	4"	25.4	1 1/2"	1038	5279	5"	25.4	1 1/2"	1385
5267	4"	25.4	1 3/4"	1215	5280	5"	25.4	1 3/4"	1615
5268	4"	25.4	2"	1385	5281	5"	25.4	2"	1846
5269	4"	25.4	2 1/4"	1539	5282	5"	25.4	2 1/4"	2077
5270	4"	25.4	2 1/2"	1737	5283	5"	25.4	2 1/2"	2308
5271	4"	25.4	2 3/4"	1908	5284	5"	25.4	2 3/4"	2539
5272	4"	25.4	3"	2077	5285	5"	25.4	3"	2769
5273	4"	25.4	3 1/2"	2423	5286	5"	25.4	3 1/2"	3231
5274	4"	25.4	4"	2769	5287	5"	25.4	4"	3692
5275	4"	25.4	5"	3462	5288	5"	25.4	5"	4616

► SOLID WOOD, RIP SAW & DD SAW

YE-185



Best quality Circular saws, to suit almost all type of wood-cutting. Cuts Hardwood, Softwood, Plywood, Chip-board or picture frame. It can be used on portable machines or table saws. Works for tipping and cross-cutting as well.

YE-185

CODE	Dai	Thickness	Bore	Teeth	Price
103248	10"	3.2	63.5	48	2177
123248	12"	3.2	63.5	48	2346
123256	12"	3.2	1"	56	2769
123272	12"	3.2	1"	72	3346
123296	12"	3.2	1"	96	4346
12548	12"	5	1"	48	4539
12648	12"	6	1"	48	5431
133548	13"	3.5	63.5	48	3100
133556	13"	3.5	1"	56	3369
133556A	13"	3.5	63.5	56	3369
13556	13"	5	1"	56	5469
13656	13"	6	1"	56	6393
143536	14"	3.5	1"	36	3030
143556	14"	3.5	1"	56	3461
143556A	14"	3.5	63.5	56	3461
143560	14"	3.5	1"	60	3662
143572	14"	3.5	1"	72	4067
143584	14"	3.5	1"	84	4315
143596	14"	3.5	1"	96	5077
1435108	14"	3.5	1"	108	5654
163560	16"	3.5	1"	60	4369
163596	16"	3.5	1"	96	5338
1635108	16"	3.5	1"	108	5915
1635120	16"	3.5	1"	120	6285
1635132	16"	3.5	1"	132	7293
183654	18"	3.6	1"	54	5000
183672	18"	3.6	1"	72	5577
1836108	18"	3.6	1"	108	6693
1836120	18"	3.6	1"	120	7154

► ALUMINIUM ROUND BAR CUTTING

YE-187



YE-187

CODE	Dai	Thickness	Bore	Teeth	Price
103840	10"	3.8	1"	40	2785
103848	10"	3.8	1"	48	3085
123848	12"	3.8	1"	48	3284
123860	12"	3.8	1"	60	3684
143860	14"	3.8	1"	60	4577

► EXTRUSION PLANT- ALUMINIUM / COPPER / PLASTIC FINISHING CUTTING

YE-188



YE-188

CODE	Dai	Thickness	Bore	Teeth	Price
163596	16"	3.5	1"	96	6461
1635120	16"	3.5	1"	120	7785
1638120	16"	3.8	1"	120	8508
1838108	18"	3.8	1"	108	8100
1838120	18"	3.8	1"	120	8707
204120	20"	4	1"	120	10085
224120	22"	4	1"	120	11946
224160	22"	4	1"	160	13800
244120	24"	4	1"	120	12208
244144	24"	4	1"	144	13484
264120	26"	4	1"	120	14862
264144	26"	4	1"	144	16138
264160	26"	4	1"	160	17162
264180	26"	4	1"	180	18315
265120	26"	5	1"	120	15907
265144	26"	5	1"	144	17285
265160	26"	5	1"	160	18462
265180	26"	5	1"	180	19607
275160	27"	5	1"	160	20054
285160	28"	5	1"	160	21231

► PVC PIPE & SECTION CUTTING

YE-186



YE-186

CODE	Dai	Thickness	Bore	Teeth	Price
83260	8"	3.2	1"	60	3716
12496	12"	4	1"	96	7592
144108	14"	4	1"	108	8708
524160	520mm	4	1"	160	15569
634192	630mm	4	1"	192	19253
554170	550mm	4	1"	170	17339

► BILLET CUTTING / ALUMINIUM / COPPER

YE-189



YE-189

CODE	Dai	Thickness	Bore	Teeth	Price
123248	12"	3.2	1"	48	2500
16460	16"	4	1"	60	5815
16472	16"	4	1"	72	6169
18454	18"	4	1"	54	5739
18460	18"	4	1"	60	6154
18472	18"	4	1"	72	7169
20460	20"	4	1"	60	7077
20472	20"	4	1"	72	7431
22472	22"	4	1"	72	9685
24472	24"	4	1"	72	9954
26472	26"	4	1"	72	12607
26572	26"	5	1"	72	13623
28472	28"	4	1"	72	14584
28572	28"	5	1"	72	15216
28590	28"	5	1"	90	16346
30596	30"	5	1"	96	21231

▶ Flat Wheel

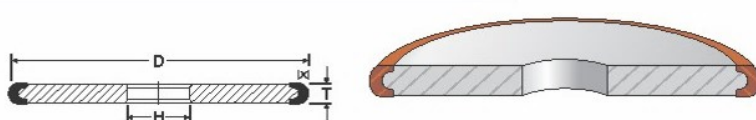
YE-179



YE-179				
CODE	Dia	Thick mm	X mm	Price
801	150	6	3	1077
802	150	8	3	1154
803	150	10	3	1231
804	150	12	3	1308

▶ Radius Wheel

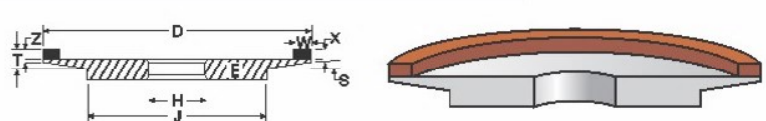
YE-180



YE-180				
CODE	Dia	Thick mm	X mm	Price
805	125	6	3	1539
806	125	8	3	1692
807	125	10	3	1846
808	125	12	3	2154

▶ Dish Wheel

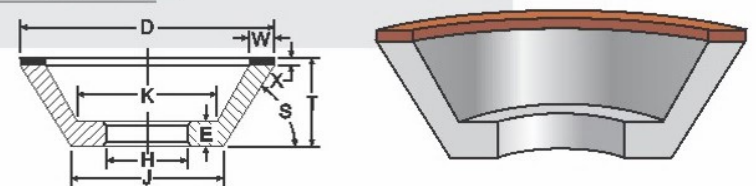
YE-181



YE-181				
CODE	Dia	Thick mm	X mm	Price
809	125	6	2	769
809	125	6	3	846
810	125	10	3	923
811	150	6	3	923
812	150	10	3	1000

▶ Cup Wheel

YE-182



YE-182				
CODE	Dia	Thick mm	X mm	Price
813A	100	10	3	769
813	150	10	3	1000
814	150	19	3	1308

▶ Degree Wheel

YE-183



YE-183					
CODE	Dia	Thick mm	X mm	X mm	Price
815	125	6	90°	3	1539
816	125	8	90°	3	1692
817	125	10	90°	3	1846
818	125	12	90°	3	2154



▶ CARBIDE Tipped Band Saw Blades

YE-184

1st Time in India
TCT BAND SAW BLADE
Make by

Precise
Powerful
Innovative

Horizontal & Vertical



ADVANTAGES

- 1) Carbide being a harder and stronger raw material, can cut both HARD and SOFT Wood.
- 2) Better Finish (75% Planning Finish).
- 3) Wood Saving due to Thinner Kerf and Better Finish (kerf only 1.6mm to 2mm thickness and 75% Planning Finish, saving almost 3mm to 4mm wood in each cut)
- 4) Longer Life compared to regular High Carbon Blade.

▶ Band Saw Blade Grinding Machine



▶ Rubber Belt

Re-Construct Your Band Saw



ADVANTAGES OF USING RUBBER BELT

- on the Wheels:
- 1) Avoids friction between Metal (wheel) and Metal (blade), less friction means blade runs longer and steadier.
 - 2) Will avoid cracking on the blade.
 - 3) Less friction, chances of loss of Tensioning, thus Cutting and Finishing will be consistent.

YE-184 Horizontal & Vertical

CODE	Length	Thickness	Width	TPI
5292	3500mm	1.3mm/0.9mm	27mm	22TPI
5293	4318mm	1.6mm/0.9mm	27mm	22TPI
5294	5000mm	1.3mm/0.9mm	27mm	22TPI
5295	5200mm	1.6mm/0.9mm	35mm	22TPI
5296	4600mm	1.6mm/0.9mm	35mm	22TPI
5297	6900mm	1.1mm/0.8mm	40mm	22TPI
5298	7150mm	1.55mm/0.9mm	50mm	22TPI
5299	7000mm	1.6mm/0.95mm	60mm	22TPI
5300	7150mm	1.6mm/0.95mm	60mm	22TPI
5301	7150mm	1.2mm/0.8mm	60mm	22TPI
5302	9725mm	1.6mm/0.95mm	60mm	22TPI
5303	9725mm	1.7mm/1mm	60mm	22TPI
5304	4850mm	1.6mm/0.9mm	100mm	22TPI
5305	7010mm	1.6mm/0.9mm	75mm	22TPI
5306	7086mm	1.7mm/1mm	75mm	22TPI
5307	7086mm	1.7mm/1mm	60mm	22TPI
5308	7137mm	1.7mm/1mm	60mm	22TPI
5309	7137mm	1.7mm/1mm	75mm	22TPI
5310	7975mm	2mm/1mm	75mm	22TPI
5311	4800mm	1.5mm/0.9mm	35mm	15TPI
5312	3500mm	1.4mm/0.8mm	17mm	15TPI
5313	2374mm	1.4mm/0.8mm	17mm	15TPI
5314	3340mm	1.4mm/0.8mm	25mm	15TPI
5315	4600mm	1.5mm/0.9mm	35mm	15TPI
5316	3250mm	1.6mm/0.9	25mm	22TPI



NO MORE VIBRATIONS