

Next Generation Tools By



TCT
BAND SAW
BLADE

New Edge of Technology
DIAMOND
TECHNOLOGY

Awe-inspiring
Precision &
Performance

BRAZE - REPLACEABLE - PCD
Wood Working Tools

The Sign Of Excellence

Next Generation Tools By



The Company, Yash Tooling System is setting new Benchmarks in tools' designing, manufacturing and overall quality operations. With introduction of these tools with Replaceable Knives, Yash now has the distinction of being the first Indian company to undertake manufacturing of such international quality products. In the late nineties, Brazed tools market was teeming with various manufacturers, yash though being late entrant – acquired a position of premium brand very quickly. Still the quality brazed tools users always prefer Yash over any other product. Yash uses the best European machinery & processes to manufacture its products, with highest quality raw material. In short, Brazed or Replaceable, Yash tools are powered to give unbeatable performance and a long – long working life.

To win the markets, you have to do something extra – ordinary. Yash helps you achieve that. Your wood-work and panel jobs can be crafted so meticulously and consistently qualitatively that your product stand apart from the crowd, making you a winner of the customer choice. Yash Symbolises ultimate quality. Such highly dependable and systematically precision tools, till now were possible with imported brands only. Now you have it here in 'Yash', that too at comparably lower cost and with reliable supply and service support.

INNOVATIVE TOOLS FOR WOOD WORKING INDUSTRIES

Our In House Machine Facility

For

ENHANCE QUALITY | BETTER PERFORMANCE | UN BEATABLE PRICE
FASTEST DELIVERY | AFTER SALES & SERVICE



PCD Grinding



CNC Balancing Machine



Profile Grinding



CNC Profile Grinding



Induction Brazing

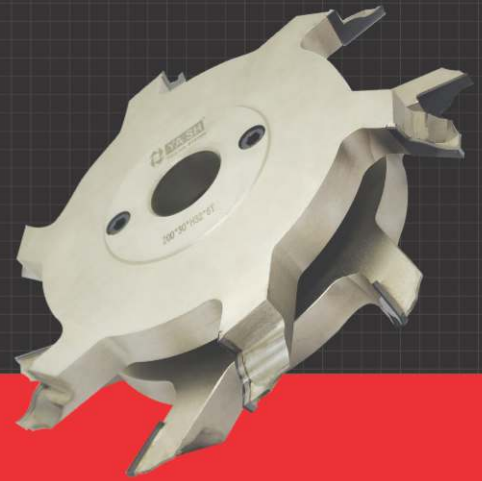
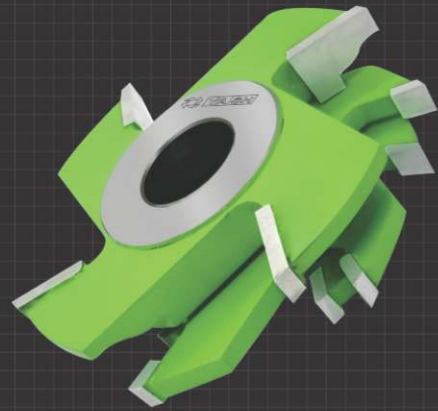


CNC Vertical Milling



CNC Turning





...discover It!

BRAZE - REPLACEABLE - PCD Wood Working Tools

Braze Tooling

For : Door & Window, Kitchen Shutter,
Solid Wood Finger Jointing Board, Grooving, Planning,
Profiling For Furniture...

04



Replaceable Tooling

For : Door & Window, Kitchen Shutter,
Solid Wood Finger Jointing Board, Grooving, Planning,
Profiling For Furniture...

88



CNC Router

For : Grooving, Nesting, Engraving, Profiling & Planning...

Other Accessories

Hss Chain - Planner Blade - Collet - Holder -
Diamond Wheel - Trimming Cutter

115



Saw Blades

For : Cutting...



157



PCD

For : Grooving, Cutting, Nesting, Profiling & Engraving...



168



**EXCELLENT
EDGE GRINDING**

**ANTI BREAK
TECHNOLOGY**

**LARGE CAPACITY FOR
CHIP REMOVAL**

**2 FLUTE & 4 FLUTE
IMPROVE ACCURACY**

**LONG CUTTING LIFE
AND HIGH QUALITY FINISH**

CNC ROUTER



2&4 Flute Solid Carbide End-mill
& Ball Nose

116



Solid Carbide Single Flute
End-Mill

120



Solid Carbide Straight Bit &
Solid Carbide Carving Bit

125



T.C.T Straight Router
BRAZE

127



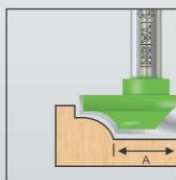
TCT Multi Boring

128



CNC Membrane Router Bit

135



Hole Saw

142



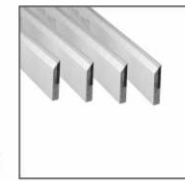
H.S.S Motorized Chain & Drill Bit

143



TCT Planner Blade

146



Collet & Holder

148



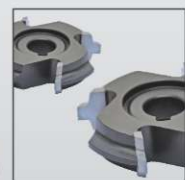
Diamond Wheel

158



Trimming Cutter

153



Two Flute

Solid Carbide Spiral

END MILL

Technical Details :

Use on CNC Router Machine

Application :

Use for Cutting, Grooving, Sizing, Nesting on CNC. 2 Flute Solid Carbide End Mill, High Performance Chip Board, Laminated Plywood, MDF, Melamine, Plastic etc..



YTS 01		Spiral Standard End Mill			
ORDER CODE	DIA	CUTTING LENGTH	TOTAL LENGTH	SHANK	
YTS 1 101	1	5	38	3	
YTS 1 102	1.5	6	38	3	
YTS 1 103	2	8	38	3	
YTS 1 104	3	15	38	3	
YTS 1 105	4	22	45	4	
YTS 1 106	5	22	50	5	
YTS 1 107	6	25	50	6	
YTS 1 108	8	25	60	8	
YTS 1 109	10	30	75	10	
YTS 1 110	12	30	75	12	
YTS 1 111	14	32	90	14	
YTS 1 112	16	45	100	16	



YTS 01		Spiral Long End Mill			
ORDER CODE	DIA	CUTTING LENGTH	TOTAL LENGTH	SHANK	
YTS 1 113	3	35	70	3	
YTS 1 114	4	35	70	4	
YTS 1 115	5	40	70	5	
YTS 1 116	6	32	60	6	
YTS 1 117	6	40	70	6	
YTS 1 118	8	40	75	8	



YTS 01		Spiral Extra Long End Mill			
ORDER CODE	DIA	CUTTING LENGTH	TOTAL LENGTH	SHANK	
YTS 1 119	3	50	100	3	
YTS 1 120	4	50	100	4	
YTS 1 121	5	50	100	5	
YTS 1 122	6	50	100	6	
YTS 1 123	6	75	100	6	
YTS 1 124	8	50	100	6	
YTS 1 125	8	75	150	8	
YTS 1 126	10	50	100	8	
YTS 1 127	10	75	150	10	
YTS 1 128	12	50	100	12	
YTS 1 129	12	75	150	12	

Four Flute Solid Carbide Spiral END MILL

Technical Details :

Use on CNC Router Machine

Application :

Use for Cutting, Grooving, Sizing, Nesting on CNC. 4 Flute Solid Carbide End Mill, High Performance Chip Board, Laminated Plywood, MDF, Melamine, Plastic etc..



YTS 02		Spiral Standard End Mill			
ORDER CODE	DIA	CUTTING LENGTH	TOTAL LENGTH	SHANK	
YTS 2 101	1	5	38	3	
YTS 2 102	1.5	6	38	3	
YTS 2 103	2	8	38	3	
YTS 2 104	3	15	38	3	
YTS 2 105	4	22	45	4	
YTS 2 106	5	22	50	5	
YTS 2 107	6	25	50	6	
YTS 2 108	8	25	60	8	
YTS 2 109	10	30	75	10	
YTS 2 110	12	30	75	12	
YTS 2 111	14	32	90	14	
YTS 2 112	16	45	100	16	



YTS 02		Spiral Long End Mill			
ORDER CODE	DIA	CUTTING LENGTH	TOTAL LENGTH	SHANK	
YTS 2 113	3	35	70	3	
YTS 2 114	4	35	70	4	
YTS 2 115	5	40	70	5	
YTS 2 116	6	32	60	6	
YTS 2 117	6	40	70	6	
YTS 2 118	8	40	75	8	



YTS 02		Spiral Extra Long End Mill			
ORDER CODE	DIA	CUTTING LENGTH	TOTAL LENGTH	SHANK	
YTS 2 119	3	50	100	3	
YTS 2 120	4	50	100	4	
YTS 2 121	5	50	100	5	
YTS 2 122	6	50	100	6	
YTS 2 123	6	75	100	6	
YTS 2 124	8	50	100	6	
YTS 2 125	8	75	150	8	
YTS 2 126	10	50	100	8	
YTS 2 127	10	75	150	10	
YTS 2 128	12	50	100	12	
YTS 2 129	12	75	150	12	



Two Flute Solid Carbide Spiral BALL NOSE



Technical Details :

Use on CNC Router Machine

Application :

used for efficient contour cutting, end-trimming and panel sizing on solid wood, wood composites, plastic materials and laminates at high feed speed. Ensure to properly clamp workpieces. Can be used on machining , point-to point boring machines, CNC routers and hand-held routers equipped with chucks or adapters. Cost-effective solution with respect to brazed and spiral in tungsten carbide.

YTS 03		Spiral Standard Ball Nose		
ORDER CODE	DIA	CUTTING LENGTH	TOTAL LENGTH	SHANK
YTS 3 101	1	5	38	3
YTS 3 102	1.5	6	38	3
YTS 3 103	2	8	38	3
YTS 3 104	3	15	38	3
YTS 3 105	4	22	45	4
YTS 3 106	5	22	50	5
YTS 3 107	6	25	50	6
YTS 3 108	8	25	60	8
YTS 3 109	10	30	75	10
YTS 3 110	12	30	75	12
YTS 3 111	14	32	90	14
YTS 3 112	16	45	100	16

YTS 03		Spiral Long Ball Nose		
ORDER CODE	DIA	CUTTING LENGTH	TOTAL LENGTH	SHANK
YTS 3 113	3	35	70	3
YTS 3 114	4	35	70	4
YTS 3 115	5	40	70	5
YTS 3 116	6	32	60	6
YTS 3 117	6	40	70	6
YTS 3 118	8	40	75	8

YTS 03		Spiral Extra Long Ball Nose		
ORDER CODE	DIA	CUTTING LENGTH	TOTAL LENGTH	SHANK
YTS 3 119	3	50	100	3
YTS 3 120	4	50	100	4
YTS 3 121	5	50	100	5
YTS 3 122	6	50	100	6
YTS 3 123	6	75	100	6
YTS 3 124	8	50	100	6
YTS 3 125	8	75	150	8
YTS 3 126	10	50	100	10
YTS 3 127	10	75	150	10
YTS 3 128	12	50	100	12
YTS 3 129	12	75	150	12

Four Flute

Solid Carbide Spiral

BALL NOSE

Technical Details :

Use on CNC Router Machine

Application :

MDF,Solid Wood,3D Work MDF,Solid Wood,3D Work



YTS 04		Spiral Standard Ball Nose		
ORDER CODE	DIA	CUTTING LENGTH	TOTAL LENGTH	SHANK
YTS 4 101	1	5	38	3
YTS 4 102	1.5	6	38	3
YTS 4 103	2	8	38	3
YTS 4 104	3	15	38	3
YTS 4 105	4	22	45	4
YTS 4 106	5	22	50	5
YTS 4 107	6	25	50	6
YTS 4 108	8	25	60	8
YTS 4 109	10	30	75	10
YTS 4 110	12	30	75	12
YTS 4 111	14	32	90	14
YTS 4 112	16	45	100	16



YTS 04		Spiral Long Ball Nose		
ORDER CODE	DIA	CUTTING LENGTH	TOTAL LENGTH	SHANK
YTS 4 113	3	35	70	3
YTS 4 114	4	35	70	4
YTS 4 115	5	40	70	5
YTS 4 116	6	32	60	6
YTS 4 117	6	40	70	6
YTS 4 118	8	40	75	8



YTS 04		Spiral Extra Long Ball Nose		
ORDER CODE	DIA	CUTTING LENGTH	TOTAL LENGTH	SHANK
YTS 4 119	3	50	100	3
YTS 4 120	4	50	100	4
YTS 4 121	5	50	100	5
YTS 4 122	6	50	100	6
YTS 4 123	6	75	100	6
YTS 4 124	8	50	100	6
YTS 4 125	8	75	150	8
YTS 4 126	10	50	100	10
YTS 4 127	10	75	150	10
YTS 4 128	12	50	100	12
YTS 4 129	12	75	150	12



Single Flute

Solid Carbide Spiral
END MILL

Technical Details :

Use on CNC Router Machine

Application :

used for efficient contour cutting, end-trimming and panel sizing on solid wood, wood composites, plastic materials and laminates at high feed speed. Ensure to properly clamp workpieces.

Single Flute Solid Carbide Spiral End Mill - YTS 5 (Standard Length)



YTS 05		Spiral Standard Length		
ORDER CODE	DIA	CUTTING LENGTH	TOTAL LENGTH	SHANK
YTS 5 101	1	6	38	3
YTS 5 102	2	8	38	3
YTS 5 103	3	15	38	3
YTS 5 104	4	22	45	4
YTS 5 105	5	22	50	5
YTS 5 106	6	25	50	6
YTS 5 107	8	30	60	8
YTS 5 108	10	30	70	10
YTS 5 109	12	30	75	12

YTS 05		Spiral Long Length		
ORDER CODE	DIA	CUTTING LENGTH	TOTAL LENGTH	SHANK
YTS 5 110	6	35	70	6
YTS 5 111	8	40	75	8
YTS 5 112	6	50	100	6
YTS 5 113	8	50	100	8
YTS 5 114	10	50	100	10

Single Flute Solid Carbide Spiral End Mill For Aluminum - YTS 6



SINGLE FLUTE ENDMILL FOR ALUMINUM

YTS 06				
ORDER CODE	DIA	CUTTING LENGTH	TOTAL LENGTH	SHANK
YTS 6 101	2	8	38	3
YTS 6 102	3	15	38	3
YTS 6 103	4	18	45	4
YTS 6 104	6	25	50	6
YTS 6 105	8	30	60	8

Single Flute Solid Carbide Spiral End Mill For Down Cut - YTS 7



SINGLE FLUTE ENDMILL FOR DOWN CUT

YTS 07				
ORDER CODE	DIA	CUTTING LENGTH	TOTAL LENGTH	SHANK
YTS 7 101	3	15	38	3
YTS 7 102	4	22	45	4
YTS 7 103	6	25	50	6
YTS 7 104	8	30	60	8

Two Flute Solid Carbide Spiral SPIRAL END MILL

Technical Details :

Use on CNC Router Machine

Application :

used for efficient contour cutting, end-trimming and panel sizing on solid wood, wood composites, plastic materials and laminates at high feed speed. Ensure to properly clamp workpieces.

Two Flute Solid Carbide Spiral End Mill For Down Cut - YTS 8



**TWO FLUTE
ENDMILL FOR DOWN CUT**

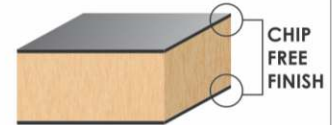
YTS 08				
ORDER CODE	DIA	CUTTING LENGTH	TOTAL LENGTH	SHANK
YTS 8 101	3	15	38	3
YTS 8 102	4	22	45	4
YTS 8 103	5	22	50	5
YTS 8 104	6	25	50	6
YTS 8 105	8	30	60	8
YTS 8 106	10	30	75	10
YTS 8 107	12	30	75	8

Two Flute Solid Carbide Spiral End Mill For Up - Down Cut - YTS 9



**TWO FLUTE
ENDMILL FOR**

UP-DOWN CUT



YTS 09				
ORDER CODE	DIA	CUTTING LENGTH	TOTAL LENGTH	SHANK
YTS 9 101	4	20	50	4
YTS 9 102	6	25	50	6
YTS 9 103	8	30	60	8
YTS 9 104	10	30	75	10
YTS 9 105	12	30	75	12

Singel Flute HSS Spiral End Mill - YTS 10



**SINGLE FLUTE
HSS
ENDMILL**

YTS 10				
ORDER CODE	DIA	CUTTING LENGTH	TOTAL LENGTH	SHANK
YTS 10 101	3	12	60	60
YTS 10 102	4	12	60	60
YTS 10 103	5	14	80	60
YTS 10 104	5	14	100	100
YTS 10 105	6	14	80	80
YTS 10 106	6	15	100	100
YTS 10 107	8	14	80	80
YTS 10 108	8	14	120	120
YTS 10 109	10	14	80	80



Solid Carbide

TAPER BALL NOSE

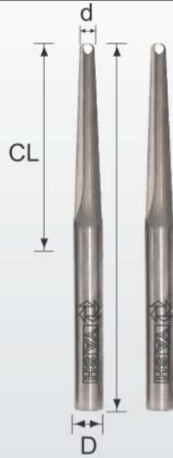
Technical Details :

Use on CNC Router Machine

Application :

2D and 3D contouring, profiling, modeling and pattern making for cabinetry, sign making, furniture making and jewelry mold makin

Solid Carbide Taper Ball Nose Straight - YTS 11



Solid Carbide **STRAIGHT TAPER BALL NOSE**

YTS 11				
ORDER CODE	DIA	CUTTING LENGTH	TOTAL LENGTH	SHANK
YTS 11 101	2	25	50	6
YTS 11 102	3	25	50	6
YTS 11 103	4	25	50	6
YTS 11 104	3	35	70	6
YTS 11 105	4	35	70	6

Solid Carbide Spiral Taper Ball Nose - YTS 12



Solid Carbide **SPIRAL TAPER BALL NOSE**

YTS 12 STANDARD LENGTH				
ORDER CODE	DIA	CUTTING LENGTH	TOTAL LENGTH	SHANK
YTS 12 101	1	25	50	6
YTS 12 102	1.5	25	50	6
YTS 12 103	2	25	50	6
YTS 12 104	3	25	50	6
YTS 12 105	4	25	50	6

YTS 12 LONG LENGTH				
ORDER CODE	DIA	CUTTING LENGTH	TOTAL LENGTH	SHANK
YTS 12 106	1	35	70	6
YTS 12 107	1.5	35	70	6
YTS 12 108	2	35	70	6
YTS 12 109	3	35	70	6
YTS 12 110	4	35	70	6
YTS 12 111	1	35	70	8
YTS 12 112	2	35	70	8
YTS 12 113	3	35	70	8
YTS 12 114	4	35	70	8
YTS 12 115	6	35	70	8

YTS 12 EXTRA LONG				
ORDER CODE	DIA	CUTTING LENGTH	TOTAL LENGTH	SHANK
YTS 12 118	2	50	100	6
YTS 12 119	3	50	100	6
YTS 12 120	4	50	100	6
YTS 12 121	2	50	100	8
YTS 12 122	3	50	100	8
YTS 12 123	4	50	100	8
YTS 12 124	6	50	100	8

Solid Carbide
Ruffer for Nesting

Technical Details :

Use on CNC Router Machine

Application :

The unique design contributes to superb performance and excellent cutting results for use on CNC routers for jointing, rabbeting, grooving, on laminates, MDF, HPL, veneer and melamine-faced panels. High performance pre-finishing and finish-routing

Solid Carbide Nesting Bit 3 Flute - YTS 13



Solid Carbide
**NESTING BIT
3 FLUTE**

YTS 13				
ORDER CODE	DIA	CUTTING LENGTH	SHANK	
YTS 13 101	4	20	8	
YTS 13 102	5	20	12	
YTS 13 103	6	25	12	
YTS 13 104	6	28	12	
YTS 13 105	8	25	12	
YTS 13 106	8	30	12	
YTS 13 107	10	30	12	

Four Flute Solid Carbide Spiral Bit For Door Lock - YTS 14 (Racker)



Solid Carbide Spiral Bit for
**DOOR LOCK
4 FLUTE**

YTS 14				
ORDER CODE	DIA	CUTTING LENGTH	TOTAL LENGTH	SHANK
YTS 14 101	6	25	50	6
YTS 14 102	8	25	60	8
YTS 14 103	10	30	75	10
YTS 14 104	12	30	75	12

Solid Carbide Spiral Bit For Door Lock - YTS 15 (Racker)



Solid Carbide Spiral Bit for
**DOOR LOCK
RACKER**

YTS 15				
ORDER CODE	DIA	CUTTING LENGTH	TOTAL LENGTH	SHANK
YTS 15 101	12	55 (105)	165	12
YTS 15 102	14	55 (105)	165	14
YTS 15 103	16	55 (105)	165	16
YTS 15 104	18	55 (105)	165	18



Four Flute Solid Carbide Spiral End Mill - YTS 16



**USE ON
HARDWOOD
ALUMINUM**

YTS 16				
ORDER CODE	DIA	CUTTING LENGTH	TOTAL LENGTH	SHANK
YTS 16 101	2	6	50	3
YTS 16 102	3	9	50	3
YTS 16 103	4	12	50	4
YTS 16 104	5	15	50	5
YTS 16 105	6	18	50	6
YTS 16 106	8	25	60	8
YTS 16 107	10	25	75	10
YTS 16 108	12	30	75	12

Corn Bit Use for Cement Sheet - YTS 17



**Corn Bit for
Cement Sheet**

YTS 17				
ORDER CODE	DIA	CUTTING LENGTH	TOTAL LENGTH	SHANK
YTS 17 101	2	8	38	3
YTS 17 102	3	15	38	3
YTS 17 103	4	20	50	4
YTS 17 104	5	22	50	5
YTS 17 105	6	25	50	6

Solid Carbide Jewellery Bit - YTS 18 (Pentograph Half Cut)



**Solid Carbide
Jewellery Bit**

YTS 18				
ORDER CODE	DIA	DEGREE	TOTAL LENGTH	SHANK
YTS 18 101	3	40	38	3
YTS 18 102	4	60	45	3
YTS 18 103	6	40	50	4
YTS 18 104	6	60	50	5
YTS 18 105	6	90	50	6
YTS 18 106	8	60	50	8

Solid Carbide Engraving Bit - YTS 19



**Solid Carbide
Engraving Bit**

YTS 19				
ORDER CODE	DIA	CUTTING LENGTH	TOTAL LENGTH	SHANK
YTS 19 101	6	25	50	6
YTS 19 102	6	35	70	6
YTS 19 103	6	50	100	6

Solid Carbide 45° Carving Bit - YTS 20



**Solid Carbide
45° Carving Bit**

YTS 20				
ORDER CODE	DIA	DEGREE	TOTAL LENGTH	SHANK
YTS 20 101	2	45	38	3
YTS 20 102	3	45	38	3
YTS 20 103	4	45	45	4
YTS 20 104	5	45	50	5
YTS 20 105	6	45	50	6
YTS 20 106	8	45	60	8

Solid Carbide
STRAIGHT BIT

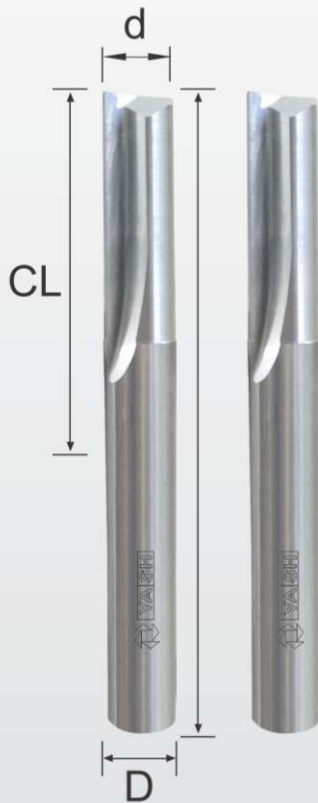
Technical Details :

Use on CNC Router Machine

Application :

Special positively ground cutting edge sharpening for excellent finish.

Solid Carbide Straight Bit - YTS 21



YTS 21		STANDARD LENGTH		
ORDER CODE	DIA	CUTTING LENGTH	TOTAL LENGTH	SHANK
YTS 21 101	2	8	38	3
YTS 21 102	3	15	38	3
YTS 21 103	4	22	45	4
YTS 21 104	4	25	50	4
YTS 21 105	5	22	50	5
YTS 21 106	6	25	50	6
YTS 21 107	6	32	60	8
YTS 21 108	8	30	60	8
YTS 21 109	10	30	70	10
YTS 21 110	12	30	75	12

YTS 21		LONG LENGTH		
ORDER CODE	DIA	CUTTING LENGTH	TOTAL LENGTH	SHANK
YTS 21 111	6	40	70	6
YTS 21 112	6	50	100	6
YTS 21 113	8	40	80	8
YTS 21 114	8	50	100	8
YTS 21 115	10	50	100	10
YTS 21 116	12	50	100	12

Solid Carbide Straight Bit - YTS 22



YTS 22		STANDARD LENGTH		
ORDER CODE	DIA	CUTTING LENGTH	TOTAL LENGTH	SHANK
YTS 22 101	2	8	50	6
YTS 22 102	3	15	50	6
YTS 22 103	4	20	50	6
YTS 22 104	4	25	50	6
YTS 22 105	5	22	50	6
YTS 22 106	4	25	60	8
YTS 22 107	5	25	60	8
YTS 22 108	6	25	60	8



Solid Carbide Straight Ball None - YTS 23



YTS 23				
ORDER CODE	DIA	CUTTING LENGTH	TOTAL LENGTH	SHANK
YTS 23 101	4	22	45	4
YTS 23 102	5	22	50	5
YTS 23 103	6	25	50	6
YTS 23 104	8	30	60	8

Solid Carbide Straight Bit Steel Shank - YTS 24



YTS 24			
ORDER CODE	DIA	CUTTING LENGTH	SHANK
YTS 24 101	2	8	6
YTS 24 102	2	8	6.35
YTS 24 103	2	8	8
YTS 24 104	3	12	6
YTS 24 105	3	12	6.35
YTS 24 106	3	12	8
YTS 24 107	4	15	6
YTS 24 108	4	15	6.35
YTS 24 109	4	15	8
YTS 24 110	6	15	8
YTS 24 111	6	25	8

Solid Carbide Straight Bit Steel Shank - YTS 25



YTS 25			
ORDER CODE	DIA	CUTTING LENGTH	SHANK
YTS 25 101	3	15	12
YTS 25 102	4	15	12
YTS 25 103	5	20	12
YTS 25 104	6	20	12
YTS 25 105	8	25	12
YTS 25 106	10	30	12

Solid Carbide Jobber Drill Bits - YTS 26



Solid Carbide Jobber Drill
Use for Hand Drill

YTS 26			
ORDER CODE	DIA	CUTTING LENGTH	TOTAL LENGTH
YTS 26 101	4	43	75
YTS 26 102	5	52	86
YTS 26 103	6	57	93
YTS 26 104	7	69	109
YTS 26 105	8	75	117
YTS 26 106	9	81	125
YTS 26 107	10	87	133
YTS 26 108	11	94	142
YTS 26 109	12	101	151



YTB 114				
ORDER CODE	DIA	CUTTING LENGTH	SHANK	Z
YTB 114 101	6	20	6	2
YTB 114 102	6	20	6.35	2
YTB 114 103	6	20	8	2
YTB 114 104	8	25	12	2
YTB 114 105	8	30	8	2
YTB 114 106	8	30	12	2
YTB 114 107	9	30	12	2
YTB 114 108	10	30	8	2
YTB 114 109	10	30	12	2
YTB 114 110	11	30	12	2
YTB 114 111	12	30	12	2
YTB 114 112	12	35	12	2
YTB 114 113	12	40	12	2
YTB 114 114	12	50	12	2
YTB 114 115	16	40	12	2
YTB 114 116	18	40	12	2
YTB 114 117	20	40	12	2

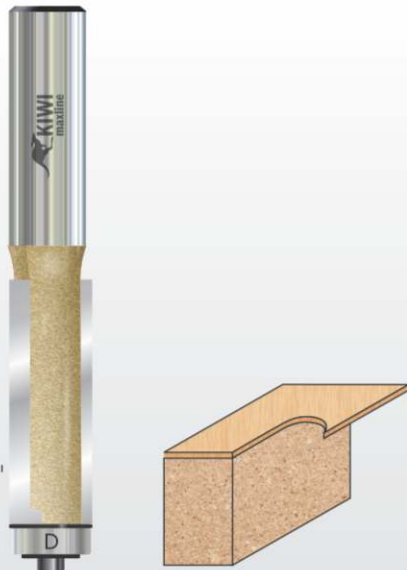
Technical Details :

Use on CNC Router Machine

Application :

Special positively ground cutting edge sharpening for excellent finish.

KIWI EDGE Trimming Bit TCT (Brazed) - YTB 115



Technical Details :

Use on CNC Router Machine

Application :

Special positively ground cutting edge sharpening for excellent finish.

YTB 115				
ORDER CODE	DIA	CUTTING LENGTH	SHANK	Z
YTB 115 101	6.35	20	6	2
YTB 115 102	6.35	20	6.35	2
YTB 115 103	9.52	25	6	2
YTB 115 104	9.52	25	6.35	2
YTB 115 105	9.52	25	8	2
YTB 115 106	9.52	30	8	2
YTB 115 107	12.7	38	8	2
YTB 115 108	12.7	38	12	2
YTB 115 109	12.7	50	12.7	2

KIWI EDGE Radius Bit TCT (Brazed) - YTB 116



YTB 116			
ORDER CODE	RADIUS	SHANK	Z
YTB 116 101	2 R	6	2
YTB 116 102	2 R	6.35	2
YTB 116 103	2 R	8	2
YTB 116 104	3 R	6	2
YTB 116 105	3 R	6.35	2
YTB 116 105	3 R	8	2





Technical Details :

Use on Multi Boring Machine

Application :

Used to drill blind holes in solid wood, wood composites, plastic and laminated materials.

YTB 117

ORDER CODE	DIA	TOTAL LENGTH	SHANK
YTB 117 101 RH	3	57	10
YTB 117 101 LH	3	57	10
YTB 117 102 RH	4	57	10
YTB 117 102 LH	4	57	10
YTB 117 103 RH	5	57	10
YTB 117 103 LH	5	57	10
YTB 117 104 RH	6	57	10
YTB 117 104 LH	6	57	10
YTB 117 105 RH	7	57	10
YTB 117 105 LH	7	57	10
YTB 117 106 RH	8	57	10
YTB 117 106 LH	8	57	10
YTB 117 107 RH	9	57	10
YTB 117 107 LH	9	57	10
YTB 117 108 RH	10	57	10
YTB 117 108 LH	10	57	10
YTB 117 109 RH	11	57	10
YTB 117 109 LH	11	57	10
YTB 117 110 RH	12	57	10
YTB 117 110 LH	12	57	10
YTB 117 111 RH	15	57	10
YTB 117 111 LH	15	57	10

KIWI Multi Boring Bit - YTB 118



Technical Details :

Use on Multi Boring Machine

Application :

Used to drill blind holes in solid wood, wood composites, plastic and laminated materials.

YTB 118

ORDER CODE	DIA	TOTAL LENGTH	SHANK
YTB 118 101 RH	3	70	10
YTB 118 101 LH	3	70	10
YTB 118 102 RH	4	70	10
YTB 118 102 LH	4	70	10
YTB 118 103 RH	5	70	10
YTB 118 103 LH	5	70	10
YTB 118 104 RH	6	70	10
YTB 118 104 LH	6	70	10
YTB 118 105 RH	7	70	10
YTB 118 105 LH	7	70	10
YTB 118 106 RH	8	70	10
YTB 118 106 LH	8	70	10
YTB 118 107 RH	9	70	10
YTB 118 107 LH	9	70	10
YTB 118 108 RH	10	70	10
YTB 118 108 LH	10	70	10
YTB 118 109 RH	11	70	10
YTB 118 109 LH	11	70	10
YTB 118 110 RH	12	70	10
YTB 118 110 LH	12	70	10
YTB 118 111 RH	15	70	10
YTB 118 111 LH	15	70	10



YTB 119

ORDER CODE	DIA	TOTAL LENGTH	SHANK
YTB 119 101 RH	15	57	10
YTB 119 101 LH	15	57	10
YTB 119 102 RH	18	57	10
YTB 119 102 LH	18	57	10
YTB 119 103 RH	20	57	10
YTB 119 103 LH	20	57	10
YTB 119 104 RH	22	57	10
YTB 119 104 LH	22	57	10
YTB 119 105 RH	25	57	10
YTB 119 105 LH	25	57	10
YTB 119 106 RH	30	57	10
YTB 119 106 LH	30	57	10
YTB 119 107 RH	35	57	10
YTB 119 107 LH	35	57	10
YTB 119 108 RH	40	57	10
YTB 119 108 LH	40	57	10
YTB 119 109 RH	63.5	57	10
YTB 119 109 LH	63.5	57	10

Technical Details :

Use on Multi Boring Machine

Application :

Used to drill blind holes in solid wood, wood composites, plastic and laminated materials.

KIWI Hinge Boring Bit - YTB 120



YTB 120

ORDER CODE	DIA	TOTAL LENGTH	SHANK
YTB 120 101 RH	15	70	10
YTB 120 101 LH	15	70	10
YTB 120 102 RH	18	70	10
YTB 120 102 LH	18	70	10
YTB 120 103 RH	20	70	10
YTB 120 103 LH	20	70	10
YTB 120 104 RH	22	70	10
YTB 120 104 LH	22	70	10
YTB 120 105 RH	25	70	10
YTB 120 105 LH	25	70	10
YTB 120 106 RH	30	70	10
YTB 120 106 LH	30	70	10
YTB 120 107 RH	35	70	10
YTB 120 107 LH	35	70	10
YTB 120 108 RH	40	70	10
YTB 120 108 LH	40	70	10
YTB 120 109 RH	63.5	70	10
YTB 120 109 LH	63.5	70	10

Technical Details :

Use on Multi Boring Machine

Application :

Used to drill blind holes in solid wood, wood composites, plastic and laminated materials.





YTB 121		Extra Long	
ORDER CODE	DIA	TOTAL LENGTH	SHANK
YTB 121 101 RH	8	110	10
YTB 121 101 LH	8	110	10
YTB 121 102 RH	10	110	10
YTB 121 102 LH	10	110	10
YTB 121 103 RH	12	110	10
YTB 121 103 LH	12	110	10
YTB 121 104 RH	15	110	10
YTB 121 104 LH	15	110	10

KIWI Through Hole Boring Bit - YTB 122



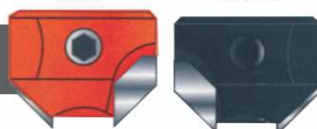
YTB 122			
ORDER CODE	DIA	TOTAL LENGTH	SHANK
YTB 122 101 RH	3	57	10
YTB 122 101 LH	3	57	10
YTB 122 102 RH	4	57	10
YTB 122 102 LH	4	57	10
YTB 122 103 RH	5	57	10
YTB 122 103 LH	5	57	10
YTB 122 104 RH	6	57	10
YTB 122 104 LH	6	57	10
YTB 122 105 RH	7	57	10
YTB 122 105 LH	7	57	10
YTB 122 106 RH	8	57	10
YTB 122 106 LH	8	57	10
YTB 122 107 RH	10	57	10
YTB 122 107 LH	10	57	10
YTB 122 108 RH	12	57	10
YTB 122 108 LH	12	57	10

KIWI Through Hole Boring Bit - YTB 123



YTB 123			
ORDER CODE	DIA	TOTAL LENGTH	SHANK
YTB 123 101 RH	3	70	10
YTB 123 101 LH	3	70	10
YTB 123 102 RH	4	70	10
YTB 123 102 LH	4	70	10
YTB 123 103 RH	5	70	10
YTB 123 103 LH	5	70	10
YTB 123 104 RH	6	70	10
YTB 123 104 LH	6	70	10
YTB 123 105 RH	7	70	10
YTB 123 105 LH	7	70	10
YTB 123 106 RH	8	70	10
YTB 123 106 LH	8	70	10
YTB 123 107 RH	10	70	10
YTB 123 107 LH	10	70	10
YTB 123 108 RH	12	70	10
YTB 123 108 LH	12	70	10

LEFT RIGHT



T.C.T. Counter Shank



Technical Details :

Use on Multi Boring Machine

Application :

Used to drill blind holes in solid wood, wood composites, plastic and laminated materials.

Pro Series

YTB 124		DIA	TOTAL LENGTH	SHANK
ORDER CODE				
YTB 124 101 RH		3	57	10
YTB 124 101 LH		3	57	10
YTB 124 102 RH		4	57	10
YTB 124 102 LH		4	57	10
YTB 124 103 RH		5	57	10
YTB 124 103 LH		5	57	10
YTB 124 104 RH		6	57	10
YTB 124 104 LH		6	57	10
YTB 124 105 RH		7	57	10
YTB 124 105 LH		7	57	10
YTB 124 106 RH		8	57	10
YTB 124 106 LH		8	57	10
YTB 124 107 RH		9	57	10
YTB 124 107 LH		9	57	10
YTB 124 108 RH		10	57	10
YTB 124 108 LH		10	57	10
YTB 124 109 RH		11	57	10
YTB 124 109 LH		11	57	10
YTB 124 110 RH		12	57	10
YTB 124 110 LH		12	57	10
YTB 124 111 RH		15	57	10
YTB 124 111 LH		15	57	10

Pro Series Multi Boring Bit - YTB 125



Technical Details :

Use on Multi Boring Machine

Application :

Used to drill blind holes in solid wood, wood composites, plastic and laminated materials.

Pro Series

YTB 125		DIA	TOTAL LENGTH	SHANK
ORDER CODE				
YTB 125 101 RH		3	70	10
YTB 125 101 LH		3	70	10
YTB 125 102 RH		4	70	10
YTB 125 102 LH		4	70	10
YTB 125 103 RH		5	70	10
YTB 125 103 LH		5	70	10
YTB 125 104 RH		6	70	10
YTB 125 104 LH		6	70	10
YTB 125 105 RH		7	70	10
YTB 125 105 LH		7	70	10
YTB 125 106 RH		8	70	10
YTB 125 106 LH		8	70	10
YTB 125 107 RH		9	70	10
YTB 125 107 LH		9	70	10
YTB 125 108 RH		10	70	10
YTB 125 108 LH		10	70	10
YTB 125 109 RH		11	70	10
YTB 125 109 LH		11	70	10
YTB 125 110 RH		12	70	10
YTB 125 110 LH		12	70	10
YTB 125 111 RH		15	70	10
YTB 125 111 LH		15	70	10





Technical Details :

Use on Multi Boring Machine

Application :

Used to drill blind holes in solid wood, wood composites, plastic and laminated materials.

Pro Series

YTB 126			
ORDER CODE	DIA	TOTAL LENGTH	SHANK
YTB 126 101 RH	15	57	10
YTB 126 101 LH	15	57	10
YTB 126 102 RH	18	57	10
YTB 126 102 LH	18	57	10
YTB 126 103 RH	20	57	10
YTB 126 103 LH	20	57	10
YTB 126 104 RH	22	57	10
YTB 126 104 LH	22	57	10
YTB 126 105 RH	25	57	10
YTB 126 105 LH	25	57	10
YTB 126 106 RH	30	57	10
YTB 126 106 LH	30	57	10
YTB 126 107 RH	35	57	10
YTB 126 107 LH	35	57	10
YTB 126 108 RH	40	57	10
YTB 126 108 LH	40	57	10
YTB 126 109 RH	63.5	57	10
YTB 126 109 LH	63.5	57	10



Technical Details :

Use on Multi Boring Machine

Application :

Used to drill blind holes in solid wood, wood composites, plastic and laminated materials.

Pro Series

YTB 127			
ORDER CODE	DIA	TOTAL LENGTH	SHANK
YTB 127 101 RH	15	70	10
YTB 127 101 LH	15	70	10
YTB 127 102 RH	18	70	10
YTB 127 102 LH	18	70	10
YTB 127 103 RH	20	70	10
YTB 127 103 LH	20	70	10
YTB 127 104 RH	22	70	10
YTB 127 104 LH	22	70	10
YTB 127 105 RH	25	70	10
YTB 127 105 LH	25	70	10
YTB 127 106 RH	30	70	10
YTB 127 106 LH	30	70	10
YTB 127 107 RH	35	70	10
YTB 127 107 LH	35	70	10
YTB 127 108 RH	40	70	10
YTB 127 108 LH	40	70	10
YTB 127 109 RH	63.5	70	10
YTB 127 109 LH	63.5	70	10



YTB 128		Pro Series	
ORDER CODE	DIA	TOTAL LENGTH	SHANK
YTB 128 101 RH	8	110	10
YTB 128 101 LH	8	110	10
YTB 128 102 RH	10	110	10
YTB 128 102 LH	10	110	10
YTB 128 103 RH	12	110	10
YTB 128 103 LH	12	110	10
YTB 128 104 RH	15	110	10
YTB 128 104 LH	15	110	10

Pro Series Through Hole Boring Bit - YTB 129



YTB 129		Pro Series	
ORDER CODE	DIA	TOTAL LENGTH	SHANK
YTB 129 101 RH	3	57	10
YTB 129 101 LH	3	57	10
YTB 129 102 RH	4	57	10
YTB 129 102 LH	4	57	10
YTB 129 103 RH	5	57	10
YTB 129 103 LH	5	57	10
YTB 129 104 RH	6	57	10
YTB 129 104 LH	6	57	10
YTB 129 105 RH	7	57	10
YTB 129 105 LH	7	57	10
YTB 129 106 RH	8	57	10
YTB 129 106 LH	8	57	10
YTB 129 107 RH	10	57	10
YTB 129 107 LH	10	57	10
YTB 129 108 RH	12	57	10
YTB 129 108 LH	12	57	10

Pro Series Through Hole Boring Bit - YTB 130

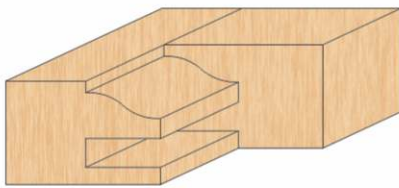
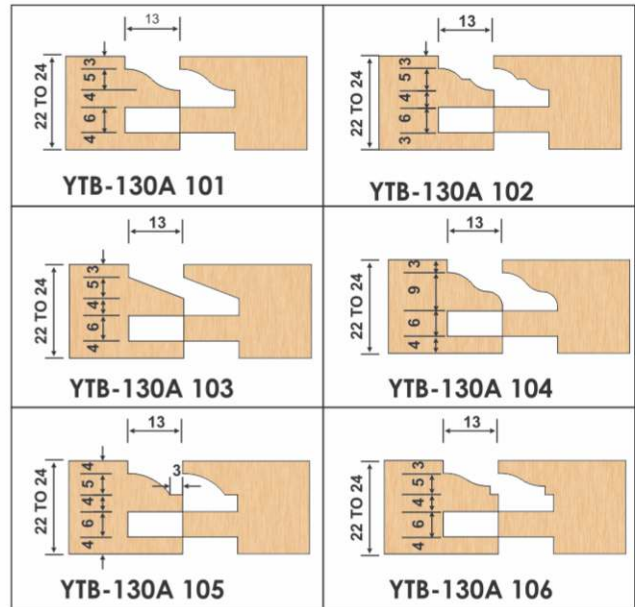


YTB 130		Pro Series	
ORDER CODE	DIA	TOTAL LENGTH	SHANK
YTB 130 101 RH	3	70	10
YTB 130 101 LH	3	70	10
YTB 130 102 RH	4	70	10
YTB 130 102 LH	4	70	10
YTB 130 103 RH	5	70	10
YTB 130 103 LH	5	70	10
YTB 130 104 RH	6	70	10
YTB 130 104 LH	6	70	10
YTB 130 105 RH	7	70	10
YTB 130 105 LH	7	70	10
YTB 130 106 RH	8	70	10
YTB 130 106 LH	8	70	10
YTB 130 107 RH	10	70	10
YTB 130 107 LH	10	70	10
YTB 130 108 RH	12	70	10
YTB 130 108 LH	12	70	10





YTB 130A		
ORDER CODE	DIA	MOULDING SIZE
YTB-130A 101	45	22-24
YTB-130A 102	45	22-24
YTB-130A 103	45	22-24
YTB-130A 104	45	22-24
YTB-130A 105	45	22-24
YTB-130A 106	45	22-24



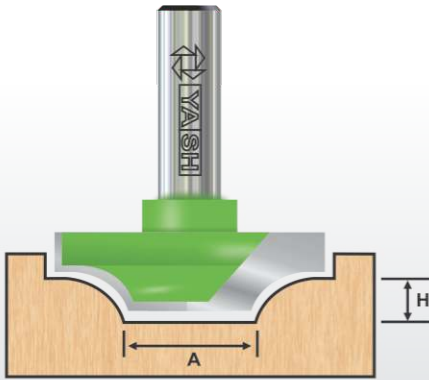
Half Radius Bit YTB-130B

*Shank size of this Router bits is 12 mm



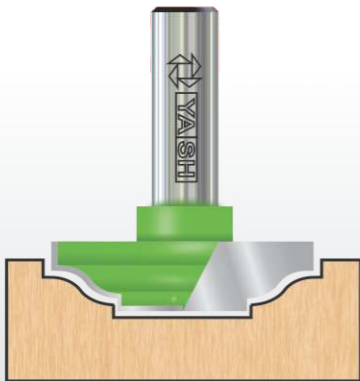
YTB 130B		
ORDER CODE	RADIUS	WOOD THICK
YTB-130B 101	6R	12
YTB-130B 102	8R	16
YTB-130B 103	10R	20
YTB-130B 104	12.5R	25
YTB-130B 105	15R	30
YTB-130B 106	19R	38
YTB-130B 107	22.5R	45
YTB-130B 108	25R	50

Classical Designs For Membrane Router Bit - YTB 131



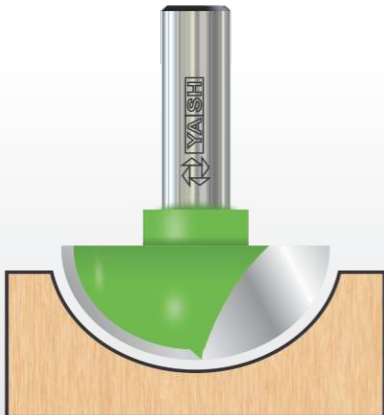
YTB 131				
ORDER CODE	DIA	A (mm)	DEPTH (H)	SHANK
YTB 131 101	12	5	1 / 1.5 / 2 / 2.5	12
YTB 131 102	15	5	1 / 1.5 / 2 / 2.5	12
YTB 131 103	25	10	1 / 1.5 / 2 / 2.5	12
YTB 131 104	28	13	1 / 1.5 / 2 / 2.5	12
YTB 131 105	30	14	1 / 1.5 / 2 / 2.5	12
YTB 131 106	32	15	1 / 1.5 / 2 / 2.5	12
YTB 131 107	35	17	1 / 1.5 / 2 / 2.5	12
YTB 131 108	38	18	1 / 1.5 / 2 / 2.5	12
YTB 131 109	40	20	1 / 1.5 / 2 / 2.5	12

Plung ogee For Membrane Router Bit - YTB 132



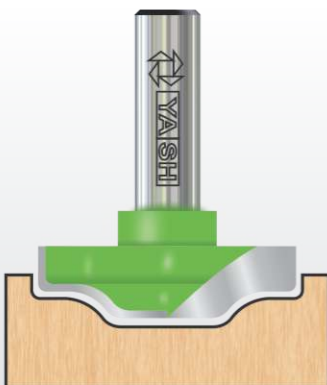
YTB 132				
ORDER CODE	DIA	A (mm)	DEPTH (H)	SHANK
YTB 132 101	25	10	2 / 2.5 / 3 / 4	12
YTB 132 102	28	13	2 / 2.5 / 3 / 4	12
YTB 132 103	30	14	2 / 2.5 / 3 / 4	12
YTB 132 104	32	15	2 / 2.5 / 3 / 4	12
YTB 132 105	35	17	2 / 2.5 / 3 / 4	12
YTB 132 106	38	18	2 / 2.5 / 3 / 4	12
YTB 132 107	40	20	2 / 2.5 / 3 / 4	12

Round Nose Membrane Router Bit - YTB 133



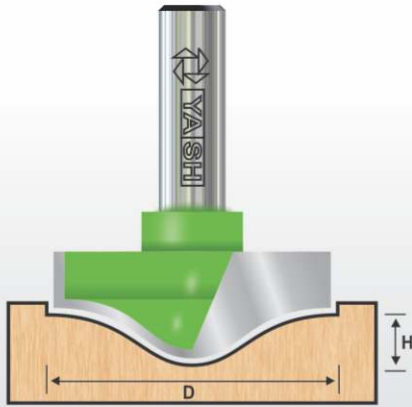
YTB 133			
ORDER CODE	DIA	R	SHANK
YTB 133 101	12	6	12
YTB 133 102	15	7.5	12
YTB 133 103	19	9.5	12
YTB 133 104	25	12.5	12
YTB 133 105	28	14	12
YTB 133 106	30	15	12
YTB 133 107	30	17.5	12
YTB 133 108	32	16	12
YTB 133 109	35	17.5	12
YTB 133 110	38	19	12
YTB 133 111	40	20	12
YTB 133 112	50	25	12

Plung Ogee Fillet For Membrane Router Bit - YTB 134



YTB 134				
ORDER CODE	DIA	A (mm)	B (mm)	SHANK
YTB 134 101	25	10	1 / 1.5 / 2 / 2.5	12
YTB 134 102	28	13	1 / 1.5 / 2 / 2.5	12
YTB 134 103	30	14	1 / 1.5 / 2 / 2.5	12
YTB 134 104	32	15	1 / 1.5 / 2 / 2.5	12
YTB 134 105	35	17	1 / 1.5 / 2 / 2.5	12
YTB 134 106	38	18	1 / 1.5 / 2 / 2.5	12
YTB 134 107	40	20	1 / 1.5 / 2 / 2.5	12

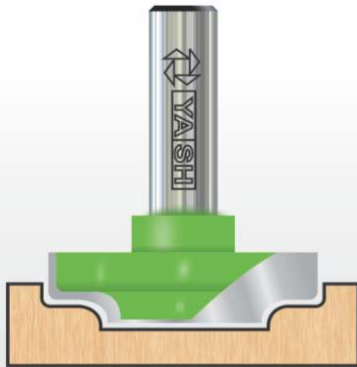
Ogee For Membrane Router Bit - YTB 135



YTB 135

ORDER CODE	DIA	DEPTH (H)	SHANK
YTB 135 101	25	3 / 4 / 5	12
YTB 135 102	28	3 / 4 / 5	12
YTB 135 103	30	3 / 4 / 5	12
YTB 135 104	32	3 / 4 / 5	12
YTB 135 105	35	3 / 4 / 5	12
YTB 135 106	38	3 / 4 / 5	12
YTB 135 107	40	3 / 4 / 5	12

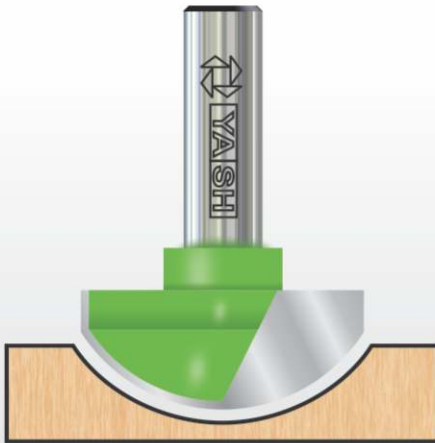
Step Ogee Tool For Membrane Router Bit - YTB 136



YTB 136

ORDER CODE	DIA	A (mm)	DEPTH (H)	SHANK
YTB 136 101	25	10	1 / 1.5 / 2 / 2.5	12
YTB 136 102	28	13	1 / 1.5 / 2 / 2.5	12
YTB 136 103	30	14	1 / 1.5 / 2 / 2.5	12
YTB 136 104	32	15	1 / 1.5 / 2 / 2.5	12
YTB 136 105	35	17	1 / 1.5 / 2 / 2.5	12
YTB 136 106	38	18	1 / 1.5 / 2 / 2.5	12
YTB 136 107	40	20	1 / 1.5 / 2 / 2.5	12

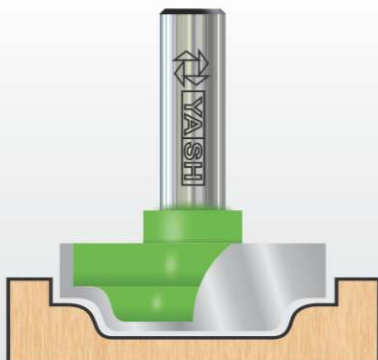
Half Round Wave Board For Membrane Router Bit - YTB 137



YTB 137

ORDER CODE	DIA	DEPTH (H)	SHANK
YTB 137 101	12	1 / 1.5 / 2 / 2.5	12
YTB 137 102	15	1 / 1.5 / 2 / 2.5	12
YTB 137 103	19	1 / 1.5 / 2 / 2.5	12
YTB 137 104	25	1 / 1.5 / 2 / 2.5	12
YTB 137 105	28	1 / 1.5 / 2 / 2.5	12
YTB 137 106	30	1 / 1.5 / 2 / 2.5	12
YTB 137 107	30	1 / 1.5 / 2 / 2.5	12
YTB 137 108	32	1 / 1.5 / 2 / 2.5	12
YTB 137 109	35	1 / 1.5 / 2 / 2.5	12
YTB 137 110	38	1 / 1.5 / 2 / 2.5	12
YTB 137 111	40	1 / 1.5 / 2 / 2.5	12
YTB 137 112	50	1 / 1.5 / 2 / 2.5	12

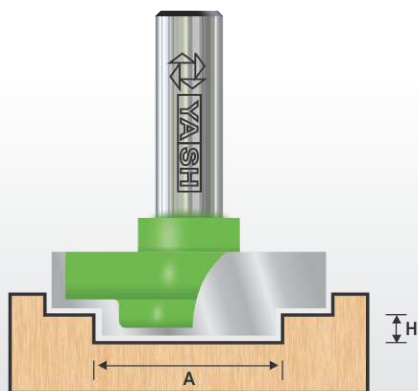
Step With Round Tool For Membrane Router Bit - YTB 138



YTB 138

ORDER CODE	DIA	A (mm)	DEPTH (H)	SHANK
YTB 138 101	25	10	1 / 1.5 / 2 / 2.5	12
YTB 138 102	28	13	1 / 1.5 / 2 / 2.5	12
YTB 138 103	30	14	1 / 1.5 / 2 / 2.5	12
YTB 138 104	32	15	1 / 1.5 / 2 / 2.5	12
YTB 138 105	35	17	1 / 1.5 / 2 / 2.5	12
YTB 138 106	38	18	1 / 1.5 / 2 / 2.5	12
YTB 138 107	40	20	1 / 1.5 / 2 / 2.5	12

Step Tool For Membrane Router Bit - YTB 139



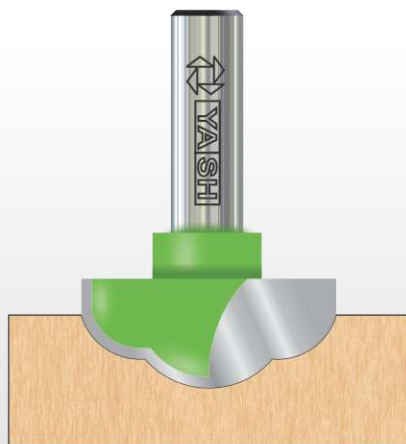
YTB 139				
ORDER CODE	DIA	A (mm)	DEPTH (H)	SHANK
YTB 139 101	25	10	1 / 1.5 / 2 / 2.5	12
YTB 139 102	28	13	1 / 1.5 / 2 / 2.5	12
YTB 139 103	30	14	1 / 1.5 / 2 / 2.5	12
YTB 139 104	32	15	1 / 1.5 / 2 / 2.5	12
YTB 139 105	35	17	1 / 1.5 / 2 / 2.5	12
YTB 139 106	38	18	1 / 1.5 / 2 / 2.5	12
YTB 139 107	40	20	1 / 1.5 / 2 / 2.5	12

Straight Bit Membrane Router Bit - YTB 140



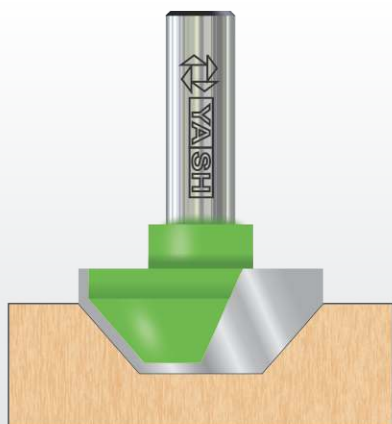
YTB 140			
ORDER CODE	DIA	Cutting Length	SHANK
YTB 140 101	25	12	12
YTB 140 102	28	12	12
YTB 140 103	30	12	12
YTB 140 104	32	12	12
YTB 140 105	35	12	12
YTB 140 106	38	12	12
YTB 140 107	40	12	12
YTB 140 108	45	12	12
YTB 140 109	50	12	12

Round Ogee For Membrane Router Bit - YTB 141



YTB 141			
ORDER CODE	DIA	A (mm)	SHANK
YTB 141 101	25	4 / 6 / 8	12
YTB 141 102	28	4 / 6 / 8	12
YTB 141 103	30	4 / 6 / 8	12
YTB 141 104	32	4 / 6 / 8	12
YTB 141 105	35	4 / 6 / 8	12
YTB 141 106	38	4 / 6 / 8	12
YTB 141 107	40	4 / 6 / 8	12

V Shafe For Membrane Router Bit - YTB 142



YTB 142				
ORDER CODE	DIA	A (mm)	DEPTH (H)	SHANK
YTB 142 101	25	8	4 / 6 / 8	12
YTB 142 102	28	9	4 / 6 / 8	12
YTB 142 103	30	10	4 / 6 / 8	12
YTB 142 104	32	11	4 / 6 / 8	12
YTB 142 105	35	12	4 / 6 / 8	12
YTB 142 106	38	14	4 / 6 / 8	12
YTB 142 107	40	17	4 / 6 / 8	12



Machines : CNC Router
Material : Solid Wood ,MDF, Particle Board

YTB 143

ORDER CODE	DIA	CL (mm)	SHANK
YTB 143 101	12.7	12.7	12
YTB 143 102	15.8	16	12
YTB 143 103	19.0	20	12
YTB 143 104	25.4	26	12

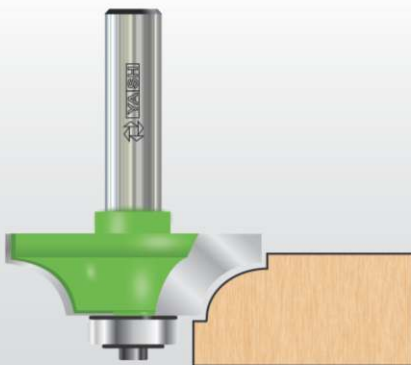
Dovetail Router Bit - YTB 144



YTB 144

ORDER CODE	DIA	CUTTING LENGTH	SHANK
YTB 144 101	12.7	12.7	12
YTB 144 102	15.8	16	12
YTB 144 103	19	20	12
YTB 144 104	25.4	26	12

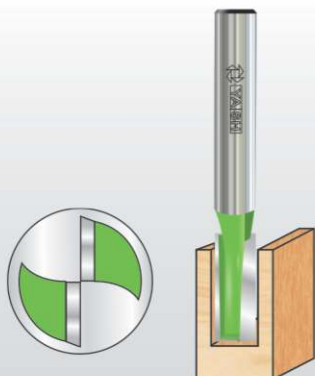
Beading Flat Router Bit - YTB 145



YTB 145

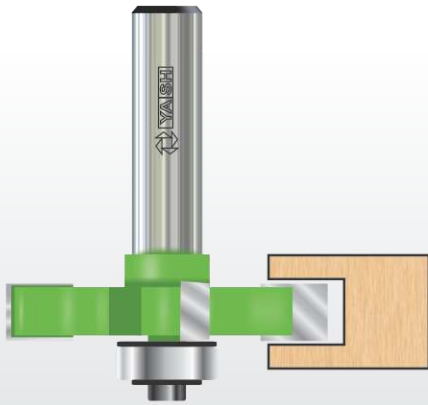
ORDER CODE	DIA	MOULDING SIZE	SHANK
YTB 145 101	23	8 x 8	8
YTB 145 102	26	10 x 10	8
YTB 145 103	29	12 x 10	8
YTB 145 104	29	12 x 12	8
YTB 145 105	34	15 x 10	8
YTB 145 106	34	15 x 15	8
YTB 145 107	41	19 x 19	8
YTB 145 108	46	22 x 22	8
YTB 145 109	51	25 x 25	8

Straight Router Bit TCT Brazed - YTB 146



YTB 146

ORDER CODE	DIA	CUTTING LENGTH	SHANK
YTB 146 101	10	50	12
YTB 146 102	12	50	12
YTB 146 103	12	63	12
YTB 146 104	12	75	12
YTB 146 105	19	38	12
YTB 146 106	19	50	12
YTB 146 107	25	25	11
YTB 146 108	25	50	12

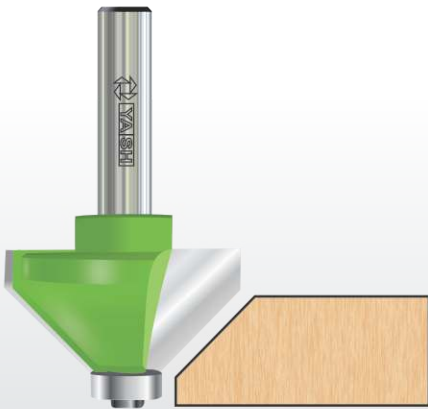


Machines : CNC Router
Material : Solid Wood ,MDF, Particle Board

YTB 147

ORDER CODE	DIA	CUTTING WIDTH	SHANK
YTB 147 101	35	3	8
YTB 147 102	35	4	8
YTB 147 103	35	6	8
YTB 147 104	35	8	8
YTB 147 105	35	10	8
YTB 147 106	35	12	8
YTB 147 107	35	15	8
YTB 147 108	35	19	8

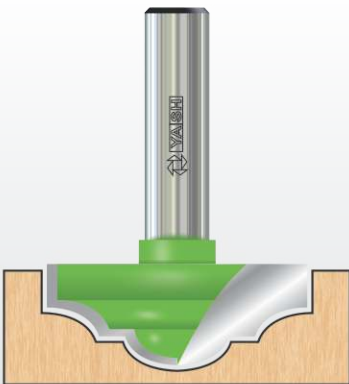
Chamfer Router Bit TCT Brazed - YTB 148



YTB 148

ORDER CODE	DIA	CUTTING WIDTH	SHANK
YTB 148 101	35	15	8
YTB 148 102	35	25	8
YTB 148 103	35	45	8
YTB 148 104	40	45	12
YTB 148 105	45	45	12
YTB 148 106	50	45	12
YTB 148 107	55	45	12

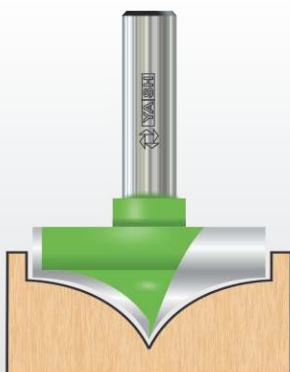
Plung Classical Bit TCT Brazed - YTB 149



YTB 149

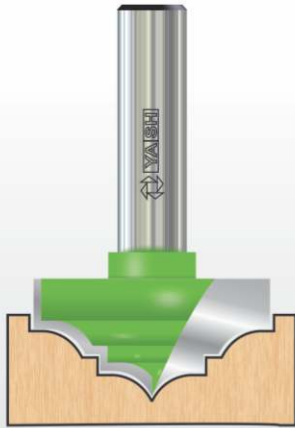
ORDER CODE	DIA	MOULDING SIZE	SHANK
YTB 149 101	15	15 x 10	8
YTB 149 102	19	19 x 10	8
YTB 149 103	22	22 x 10	8
YTB 149 104	25	25 x 10	8
YTB 149 105	25	25 x 12	8
YTB 149 106	32	32 x 12	8

Ovolo Classical Bit TCT Brazed - YTB 150



YTB 150

ORDER CODE	DIA	MOULDING SIZE	SHANK
YTB 150 101	10	10 x 8	8
YTB 150 102	12	12 x 8	8
YTB 150 103	15	15 x 8	8
YTB 150 104	19	19 x 10	8
YTB 150 105	22	22 x 10	8
YTB 150 106	25	25 x 10	8
YTB 150 107	32	32 x 12	8
YTB 150 108	38	38 x 12	8



Machines : CNC Router
Material : Solid Wood ,MDF, Particle Board

YTB 151

ORDER CODE	DIA	MOULDING SIZE	SHANK
YTB 151 101	15	15 x 10	8
YTB 151 102	19	19 x 10	8
YTB 151 103	22	22 x 10	8
YTB 151 104	25	25 x 10	8
YTB 151 105	28	28 x 10	8

Spiral Straight Bit TCT Brazed - YTB 152



YTB 152

ORDER CODE	DIA	CUTTING LENGTH	TOTAL LENGTH	SHANK
YTB 152 101	12	35	160	12
YTB 152 102	16	35	160	12
YTB 152 103	18	35	160	12
YTB 152 104	20	35	160	12

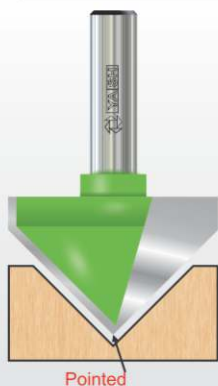
Corner Raius Bit TCT Brazed - YTB 153



YTB153

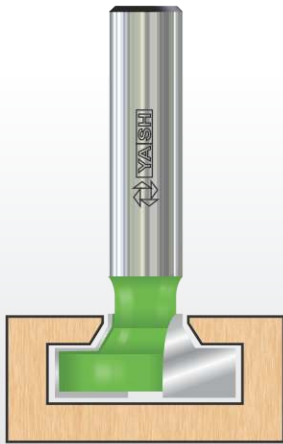
ORDER CODE	DIA	RADIUS	CUTTING LENGTH	SHANK
YTB 153 101	22	4	10	8
YTB 153 102	25	6	11	8
YTB 153 103	30	9	16	8
YTB 153 104	38	12	19	8
YTB 153 105	45	16	22	8
YTB 153 106	51	19	25	12
YTB 153 107	58	22	28	12
YTB 153 108	65	25	32	12

V Groove Bit TCT Brazed - YTB 154



YTB 154

ORDER CODE	DIA	DEGREE	SHANK
YTB 154 101	19	90	12
YTB 154 102	22	90	12
YTB 154 103	25	90	12
YTB 154 104	32	90	12
YTB 154 105	32	120	12
YTB 154 106	32	140	12
YTB 154 107	32	150	12



Machines : CNC Router
Material : Solid Wood ,MDF, Particle Board

YTB 155

ORDER CODE	DIA	H1	H1	SHANK
YTB 155 101	29	13.5	8	12

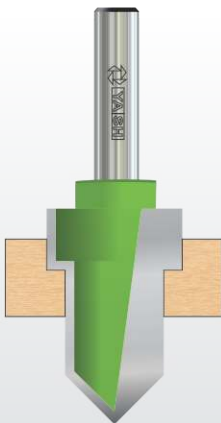
T Slot Bit TCT Brazed - YTB 156



YTB 156

ORDER CODE	DIA	D1	B	H	SHANK
YTB 156 101	9.52	6.35	4.76	9.5	12
YTB 156 102	12.7	6.35	4.76	9.5	12

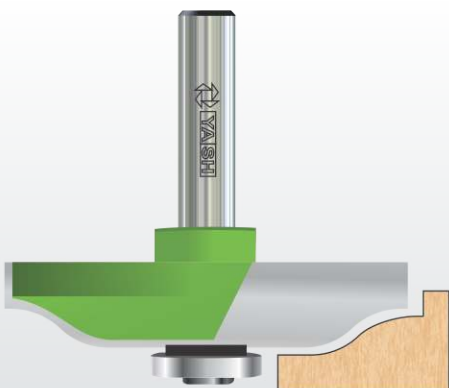
Door Switch Bit TCT Brazed - YTB 157



YTB 157

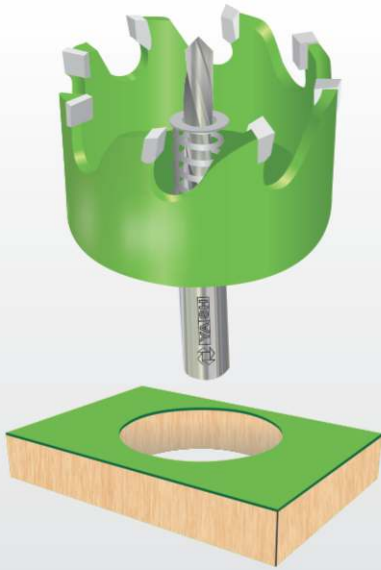
ORDER CODE	DIA	D1	H	SHANK
YTB 157 101	22	18	25	12

Door Router Bit TCT Brazed - YTB 158



YTB 158

ORDER CODE	DIA	MOULDING SIZE	SHANK
YTB 158 101	43	15 X 5	12



YTB 159			
ORDER CODE	DIA	MAX LENGTH	SHANK
YTB 159 101	35	35	12
YTB 159 102	40	40	12
YTB 159 103	45	45	12
YTB 159 104	50	50	12
YTB 159 105	55	55	12
YTB 159 106	60	60	12
YTB 159 107	63.5	63.5	12
YTB 159 108	70	70	12
YTB 159 109	75	75	12
YTB 159 110	80	80	12
YTB 159 111	90	90	12
YTB 159 112	100	100	12
YTB 159 113	125	125	12
YTB 159 114	150	150	12

Technical Details :

Use on Hand Drill

Application :

olid Wood , Particle Board, MDF, Laminated Ply

Hole Saw Bit TCT Brazed - YTB 160



YTB 160			
ORDER CODE	DIA	MAX LENGTH	SHANK
YTB 160 101	25	38	10
YTB 160 102	35	38	10

Technical Details :

Use on Multi Boring, Portable Hand Drill

Application :

Aluminum



Technical Details :

Use on Chain Motorized Machine

Application :

for cutting deep mortise slots in natural soft and medium density wood. For use on mortising machining center equipped with chucks

YTB161				
ORDER CODE	DIA	CUTTING LENGTH	TOTAL LENGTH	SHANK
YTB 161 101	6	40	110	13
YTB 161 102	6	40	110	16
YTB 161 103	8	50	110	13
YTB 161 104	8	50	110	16
YTB 161 105	10	60	110	13
YTB 161 106	10	60	110	16
YTB 161 107	12	60	110	13
YTB 161 108	12	60	110	16
YTB 161 109	14	60	110	13
YTB 161 110	14	60	110	16
YTB 161 111	16	60	110	13
YTB 161 112	16	60	110	16
YTB 161 113	18	60	110	13
YTB 161 114	18	60	110	16
YTB 161 115	20	60	110	13
YTB 161 116	20	60	110	16

TCT Slot Motorized Drill Bit - YTB 162 (Imported)



Technical Details :

Use on Chain Motorized Machine

Application :

for cutting deep mortise slots in natural soft and medium density wood. For use on mortising machining center equipped with chucks

YTB 162					
ORDER CODE	DIA	CUTTING LENGTH	TOTAL LENGTH	SHANK	TEETH
YTB 162 101	16	120	190	16	4
YTB 162 102	18	120	190	18	4
YTB 162 103	20	120	190	20	4





Technical Details :

Use on Chain Motorized Machine

Application :

creating square or rectangular holes in wood. They are typically used for joinery work in furniture making, cabinetry, and other woodworking applications.



YTB 163

ORDER CODE	DIA	TOTAL LENGTH
YTB 163 101	1/4"	210
YTB 163 102	3/8"	210
YTB 163 103	5/16"	210
YTB 163 104	7/16"	210
YTB 163 105	1/2"	210
YTB 163 106	5/8"	210
YTB 163 107	3/4"	210
YTB 163 108	1"	210

Only Auger - YTB 164



Technical Details :

Use on Chain Motorized Machine

Application :

creating square or rectangular holes in wood. They are typically used for joinery work in furniture making, cabinetry, and other woodworking applications.

YTB 164

ORDER CODE	DIA	TOTAL LENGTH
YTB 164 101	1/4"	210
YTB 164 102	3/8"	210
YTB 164 103	5/16"	210
YTB 164 104	7/16"	210
YTB 164 105	1/2"	210
YTB 164 106	5/8"	210
YTB 164 107	3/4"	210
YTB 164 108	1"	210



MADE IN GERMANY
LIFE TIME GUARANTEE

Technical Details :

Use on Chain Motorized Machine

Application :

Hard Wood, Soft Wood

YTB 165	
ORDER CODE	CHAIN THICKNESS
YTB 165 101	1/4"
YTB 165 102	5/16"
YTB 165 103	3/8"
YTB 165 104	7/16"
YTB 165 105	1/2"
YTB 165 106	5/8"
YTB 165 107	3/4"
YTB 165 108	1"
YTB 165 109	1.1/4"

TCT Motorized Chain Set - YTB 166



(Extra Accessories)



YTB166		
ORDER CODE	CHAIN THICKNESS	WITH ACCESSARY
YTB 166 101	1/4"	Guide Bar & Gear
YTB 166 102	5/16"	Guide Bar & Gear
YTB 166 103	3/8"	Guide Bar & Gear
YTB 166 104	7/16"	Guide Bar & Gear
YTB 166 105	1/2"	Guide Bar & Gear
YTB 166 106	5/8"	Guide Bar & Gear
YTB 166 107	3/4"	Guide Bar & Gear
YTB 166 108	1"	Guide Bar & Gear
YTB 166 109	1.1/4"	Guide Bar & Gear

HCS Chain Set - YTB 167

YTB 167		
ORDER CODE	CHAIN THICKNESS	WITH ACCESSARY
YTB 167 101	1/4"	Guide Bar & Gear
YTB 167 102	5/16"	Guide Bar & Gear
YTB 167 103	3/8"	Guide Bar & Gear
YTB 167 104	7/16"	Guide Bar & Gear
YTB 167 105	1/2"	Guide Bar & Gear
YTB 167 106	5/8"	Guide Bar & Gear
YTB 167 107	3/4"	Guide Bar & Gear
YTB 167 108	1"	Guide Bar & Gear
YTB 167 109	1.1/4"	Guide Bar & Gear





Machines : Surface Planner, Thickness Planner
Material : Solid Wood

YTB 166

ORDER CODE	LENGTH	WIDTH (mm)	THICKNESS
YTB 168 101	4"	30	3
YTB 168 102	6"	30	3
YTB 168 103	8"	30	3
YTB 168 104	9"	30	3
YTB 168 105	10"	30	3
YTB 168 106	12"	30	3
YTB 168 107	13"	30	3
YTB 168 108	15"	30	3
YTB 168 109	16"	30	3
YTB 168 110	18"	30	3
YTB 168 111	20"	30	3
YTB 168 112	24"	30	3
YTB 168 113	10"	30	5
YTB 168 114	12"	30	5
YTB 168 115	13"	30	5

Solid Carbide Planner Knife - YTB 169



YTS 169

ORDER CODE	LENGTH	WIDTH (mm)	THICKNESS
YTB 169 101	9"	22	2.2
YTB 169 102	10"	22	2.2
YTB 169 103	12"	22	2.2
YTB 169 104	13"	22	2.2
YTB 169 105	18"	22	2.2

HSS Planner Knife - YTB 170



Machines : Surface Planner, Thickness Planner
Material : Solid Wood

YTB 170

ORDER CODE	LENGTH	WIDTH (mm)	THICKNESS
YTB 170 104	9"	30	3
YTB 170 105	10"	30	3
YTB 170 106	12"	30	3
YTB 170 107	13"	30	3
YTB 170 108	15"	30	3
YTB 170 109	16"	30	3
YTB 170 110	18"	30	3
YTB 170 111	20"	30	3
YTB 170 112	24"	30	3



Technical Details :

Use on Router Machine

Application :

Solid Wood ,MDF, Particle Board

YTB 171			
ORDER CODE	DIA	WOOD SIZE	SHANK
YTB 171 101	77	32 x 18	12
YTB 171 102	93	40 x 18	12
YTB 171 103	113	50 x 18	12

HOW TO ORDER :

1. SELECT DESIGN CODE
2. SELECT ORDER CODE

DESIGN CODE : A



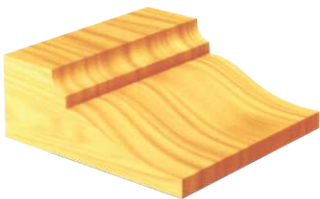
DESIGN CODE : B



DESIGN CODE : C



DESIGN CODE : D



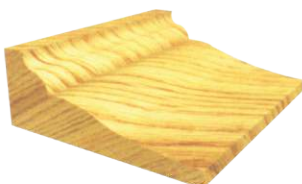
DESIGN CODE : E



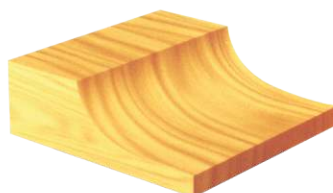
DESIGN CODE : F



DESIGN CODE : G



DESIGN CODE : H



DESIGN CODE : I





Technical Details :

Use on CNC Router Machine

Application :

Collets are used in a number of different industries. In woodworking, collets are used on wood routers to hold the bit in place. Collets are also used in semiconductor work, on internal combustion engines, and for various types of consumer crafts.

ER-16

YTB 172		
ORDER CODE	SIZE	INTERNAL DAI
YTB 172 101	ER 16	3
YTB 172 102	ER 16	4
YTB 172 103	ER 16	5
YTB 172 104	ER 16	6
YTB 172 105	ER 16	8
YTB 172 106	ER 16	10
YTB 172 107	ER 16	12

ER-20

YTB 173		
ORDER CODE	SIZE	INTERNAL DAI
YTB 173 101	ER 20	3
YTB 173 102	ER 20	4
YTB 173 103	ER 20	5
YTB 173 104	ER 20	6
YTB 173 105	ER 20	8
YTB 173 106	ER 20	9
YTB 173 107	ER 20	10
YTB 173 108	ER 20	12
YTB 173 109	ER 20	12.7

ER-25

YTB 174		
ORDER CODE	SIZE	INTERNAL DAI
YTB 174 101	ER 25	3
YTB 174 102	ER 25	4
YTB 174 103	ER 25	5
YTB 174 104	ER 25	6
YTB 174 105	ER 25	8
YTB 174 106	ER 25	9
YTB 174 107	ER 25	10
YTB 174 108	ER 25	12
YTB 174 109	ER 25	12.7

ER-32

YTB175		
ORDER CODE	SIZE	INTERNAL DAI
YTB 175 101	ER 32	3
YTB 175 102	ER 32	4
YTB 175 103	ER 32	5
YTB 175 104	ER 32	6
YTB 175 105	ER 32	7
YTB 175 106	ER 32	8
YTB 175 107	ER 32	10
YTB 175 108	ER 32	12
YTB 175 109	ER 32	12.7
YTB 175 110	ER 32	14
YTB 175 111	ER 32	16
YTB 175 112	ER 32	18
YTB 175 113	ER 32	20

ER-40

YTB 175		
ORDER CODE	SIZE	INTERNAL DAI
YTB 176 101	ER 40	3
YTB 176 102	ER 40	4
YTB 176 103	ER 40	5
YTB 176 104	ER 40	6
YTB 176 105	ER 40	7
YTB 176 106	ER 40	8
YTB 176 107	ER 40	10
YTB 176 108	ER 40	12
YTB 176 109	ER 40	12.7
YTB 176 110	ER 40	14
YTB 176 111	ER 40	16
YTB 176 112	ER 40	18
YTB 176 113	ER 40	20

NUTS



G HOOK SPANNER



C HOOK SPANNER



Collet for Homeg Machine - YTB 177



Collets For
HOMEG

YTB 177			
ORDER CODE	DIA	INTERNAL DAI	TOTAL LENGTH
YTB 177 101	35	6	52
YTB 177 102	35	8	52
YTB 177 103	35	10	52
YTB 177 104	35	12	52
YTB 177 105	35	16	52

Collet for Homeg Machine BHX - YTB 178



Collets For
HOMEG BHX

YTB 178			
ORDER CODE	DIA	INTERNAL DAI	TOTAL LENGTH
YTB 178 101	28	10	50
YTB 178 102	28	12	50
YTB 178 103	28	16	50

Collet for Multi Boring - YTB 179



Collets For
MULTI BORING



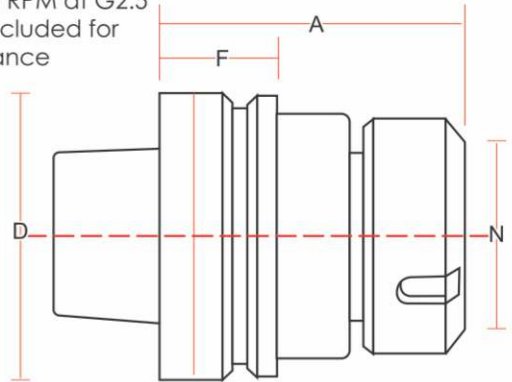
YTB 179				
ORDER CODE	D1	D2	D3	TOTAL LENGTH
YTB 179 101	19.4	10	14	40
YTB 179 102	18	10	12	42
YTB 179 103	19.4	10	14	45



CNC Holder (HSK 63 F)



Balanced to 25,000 RPM at G2.5
Inspection report included for accuracy and balance
Includes collet nut

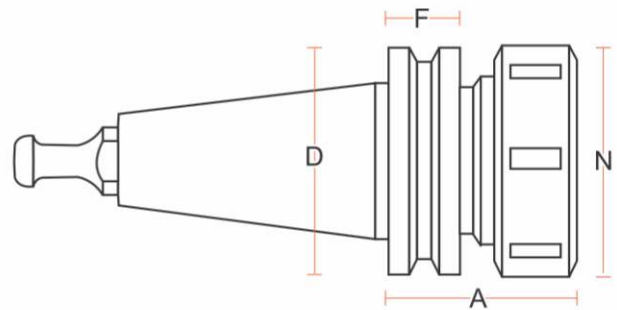


HSK 63F

ORDER CODE	DESCRIPTION	D	A	F	F
HSK 16	HSK 63F x ER 16	63	60	26	32
HSK 32	HSK 63F x ER 32	63	70	26	50
HSK 40	HSK 63F x ER 40	63	90	26	63

Note : Measure The "A" Dimension With The Collet In The Nut

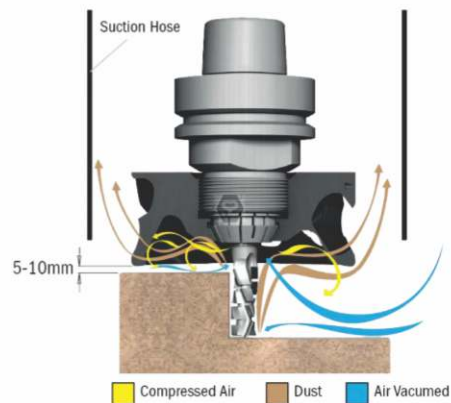
CNC Holder (ISO 30)



ISO 30

ORDER CODE	DESCRIPTION	D	A	F	F
ISO32	ISO 30 x ER 32	50	50	15.9	50
ISO32A	ISO 30 x ER 32	50	63	15.9	50
ISO32B	ISO 30 x ER 32	50	90	15.9	50
ISO40	ISO 30 x ER 40	50	57	15.9	63
ISO40A	ISO 30 x ER 40	50	70	15.9	63

CNC Dust Extractor



Dust removal can become a time-consuming health and safety problem if the dust extraction on your CNC router is inadequate. The new AirPRO from Techniks removes dust from nested cutting operations so it never has a chance to accumulate. Sawdust is ventilated di-rectly into the CNC dust collection hood by the AirPRO, leaving a cleaner cut and clean air behind.

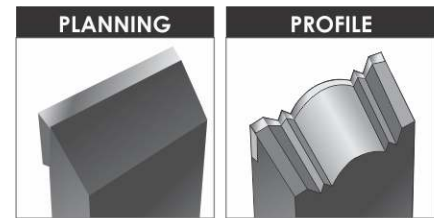


YTB 180

ORDER CODE	DIA	THICKENSS	BORE
YTB 180 101	75	20	30
YTB 180 102	80	20	30
YTB 180 103	85	20	30
YTB 180 104	90	20	30
YTB 180 105	95	20	30
YTB 180 106	100	20	30
YTB 180 107	110	20	30

Machines : Spindle Moulder

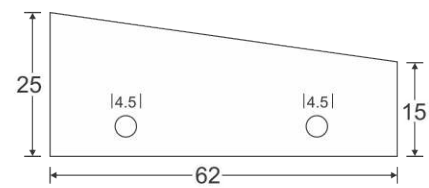
TCT Planing & Profile Knives - YTB 181



YTB 181

ORDER CODE	WIDTH	THICKENSS	HEIGHT
YTB 181 101	50	10	100
YTB 181 102	75	10	100
YTB 181 103	100	10	100
YTB 181 104	125	10	100
YTB 181 105	150	10	100

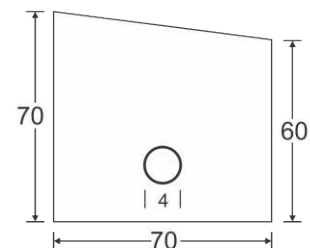
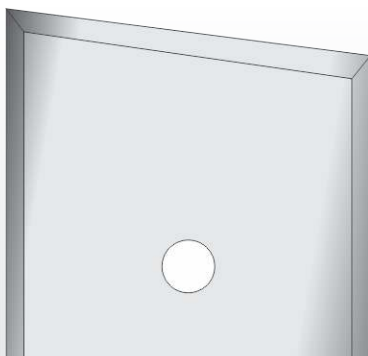
End Cutting Knives - YTB 182



YTB 182

ORDER CODE	WIDTH	THICKENSS	HEIGHT
YTB 182 101	62	2	25

End Cutting Knives - YTB 183



YTB183

ORDER CODE	WIDTH	THICKENSS	HEIGHT
YTB 183 101	70	3	70





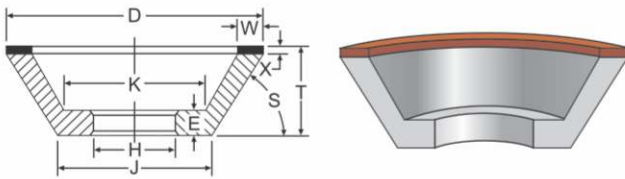
Technical Details :

Use on Tool Grinding Machine

Application :

Carbide Tips

Cup Wheel - YTB 184



YTB 184

ORDER CODE	DIA	THICKENSS	X	BORE
YTB 184 101	100	10	3	31.75
YTB 184 102	150	10	3	31.75
YTB 184 103	150	19	3	31.75

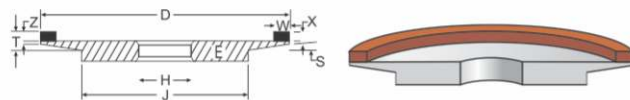
Radius Wheel - YTB 185



YTB 185

ORDER CODE	DIA	THICKENSS	X	BORE
YTB 185 101	125	6	3	31.75
YTB 185 102	125	8	3	31.75
YTB 185 103	125	10	3	31.75
YTB 185 104	125	12	3	31.75

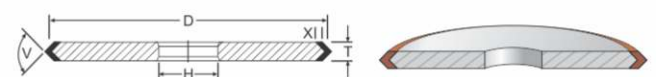
Dish Wheel - YTB 186



YTB 186

ORDER CODE	DIA	THICKENSS	X	BORE
YTB 186 101	125	6	3	31.75
YTB 186 102	125	10	3	31.75
YTB 186 103	125	6	3	31.75
YTB 186 104	125	10	3	31.75

Degree Wheel - YTB 187



YTB 187

ORDER CODE	DIA	THICKENSS	DEGREE	X	BORE
YTB 187 101	125	6	90	3	31.75
YTB 187 102	125	8	90	3	31.75
YTB 187 103	125	10	90	3	31.75
YTB 187 104	125	12	90	3	31.75

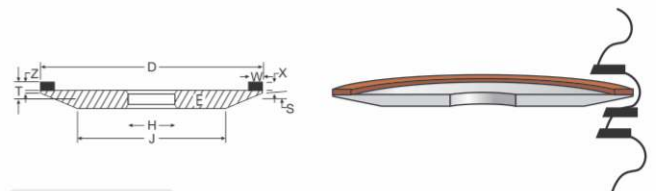
Flat Wheel - YTB 188



YTB 188

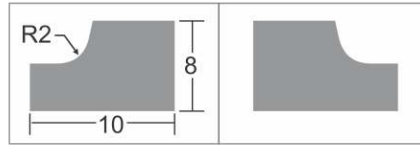
ORDER CODE	DIA	THICKENSS	X	X
YTB 188 101	150	6	3	31.75
YTB 188 102	150	8	3	31.75
YTB 188 103	150	10	3	31.75
YTB 188 104	150	12	3	31.75

Thin Dish - YTB 189



YTB 189

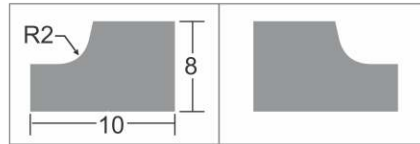
ORDER CODE	DIA	W	X	X
YTB 189 101	125	1.5	6	31.75
YTB 189 102	125	1.5	10	31.75
YTB 189 103	150	1.5	6	31.75
YTB 189 104	150	1.5	10	31.75



YTB 190

ORDER CODE	DIA	RADIUS	BORE	TEETH
YTB 190 101	48	2 R	16	6

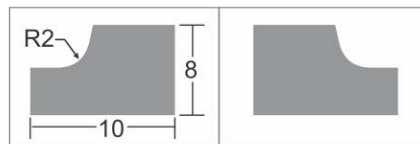
Timing Cutter - YTB 191



YTB 191

ORDER CODE	DIA	RADIUS	BORE	TEETH
YTB 191 101	48	2 R	16	6

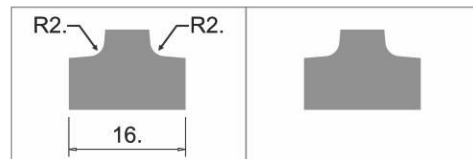
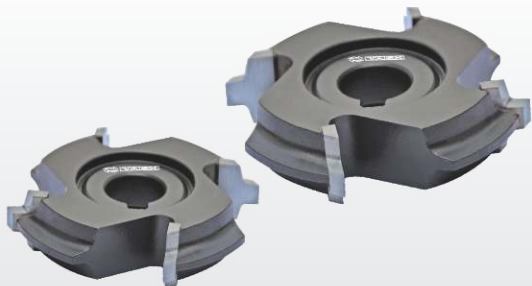
Timing Cutter 5150 - YTB 192



YTB 192

ORDER CODE	DIA	RADIUS	BORE	TEETH
YTB 192 101	68	2 R	16	6

Timing Cutter - YTB 193



YTB 193

ORDER CODE	DIA	RADIUS	BORE	TEETH
YTB 193 101	58	2 R	16	6
YTB 193 102	68	2 R	16	6
YTB 193 103	72	2 R	16	6
YTB 193 104	78	2 R	16	6
YTB 193 105	82	2 R	16	6

Any Customized Specifications Also Can Make As Per Requirements

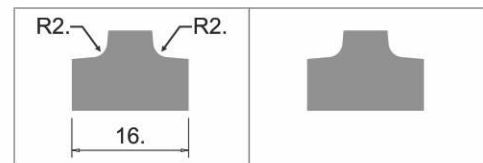




YTB 194

ORDER CODE	DIA	RADIUS	BORE	TEETH
YTB 194 101	69	2 R	16	6
YTB 194 102	69	2 R	16	8

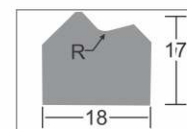
Timing Cutter - YTB 195



YTB 195

ORDER CODE	DIA	RADIUS	BORE	TEETH
YTB 195 101	68	2 R	16	6

Timing Cutter - YTB 196



YTB 196

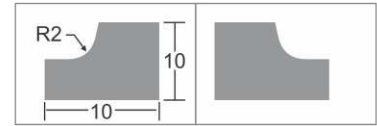
ORDER CODE	DIA	RADIUS	BORE	TEETH
YTB 196 101	75	2 R	20	4
YTB 196 102	75	2 R	20	6

Timing Cutter - YTB 197



YTB 197

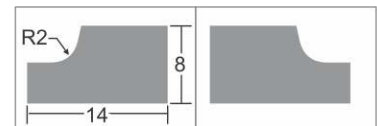
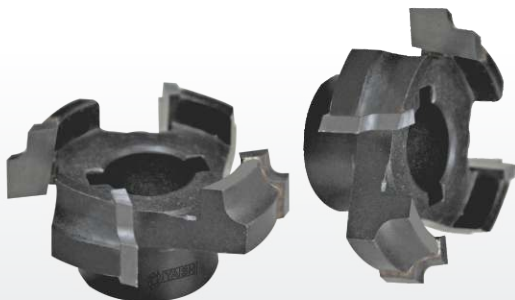
ORDER CODE	DIA	THICKNESS	BORE	TEETH
YTB 197 101	58	14	16	4
YTB 197 102	58	14	16	6



YTB 198

ORDER CODE	DIA	RADIUS	BORE	TEETH
YTB 198 101	52	2 R	16	6
YTB 198 102	52	3 R	16	6
YTB 198 103	68	2 R	20	6
YTB 198 104	68	3 R	20	6

Trimming Cutter - YTB 199

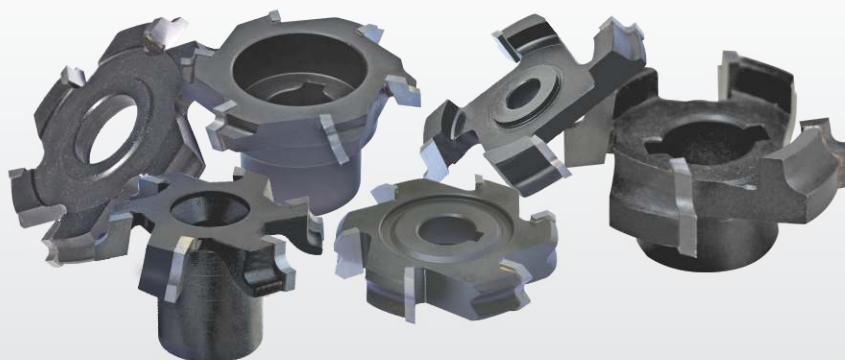


YTB 199

ORDER CODE	DIA	RADIUS	BORE	TEETH
YTB 199 101	67	2 R	16	6
YTB 199 102	67	3 R	16	6
YTB 199 103	75	2 R	20	6
YTB 199 104	75	3 R	20	6

All Trimming Available - YTB 200

100  Times
Longer Life





YTR 54

ORDER CODE	DIA	RADIUS	BORE	TEETH
YTR 54 101	72	2 R	16	4
YTR 54 102	72	3 R	16	4

Timing Cutter Replaceable - YTR 55



YTR 55

ORDER CODE	DIA	RADIUS	BORE	TEETH
YTR 55 101	75	2 R	20	4
YTR 55 102	75	3 R	20	4

Timing Cutter Replaceable - YTR 56



YTR 56

ORDER CODE	DIA	RADIUS	BORE	TEETH
YTR 56 101	75	2 R	20	4
YTR 56 102	75	3 R	20	4

Timing Cutter Replaceable - YTR 57



YTR 57

ORDER CODE	DIA	RADIUS	BORE	TEETH
YTR 57 101	68	2 R	20	4
YTR 57 102	68	3 R	20	4

Any Customized Specifications Also Can Make As Per Requirements

New **Technology**
One **Quality**
One **Name**

Next Generation Tools By



YASH TOOLING SYSTEM

Plot No.: 462, Road No.: 12, Kathwada G. I. D. C., Odhav, Ahmedabad – 382430, Gujarat, INDIA

Phone : +91 9925430880 , 8000630880, 9925412341 **Email** : yashtoolingsystems@gmail.com